



# Aero Dual

## Product Data Sheet

Dual Leaf hinged electrically opening rooflight



### Features

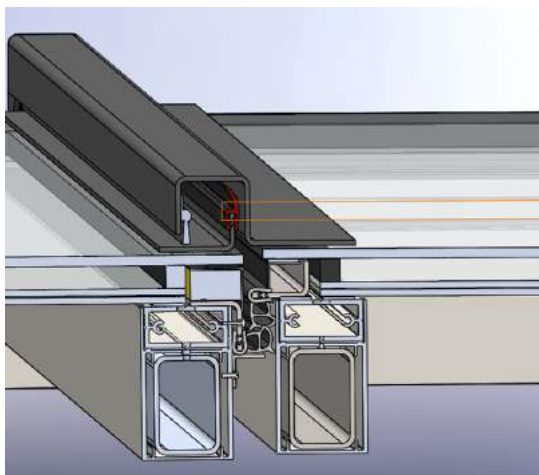
- Ideal for Winder or Spiral staircases or where external space is at a premium
- Electrically opening dual panes for roof access (up to 87 degrees) and ventilation
- Fully synchronised and operated by a control box with full diagnostics
- Laminated inner pane as standard (TN92 compliant solutions available)
- PIN protected External Keypad option available
- Full design, survey and installation service

### Parameters based on internal structural opening sizes

Minimum Width	Maximum Width	Minimum Length	Maximum Length
1300mm	2000mm	1000mm	2300mm



**24V Arm Actuators**



Central support

### Frame specification

- Reinforced aluminium frame
- 3 separate runs of polyamide thermal break
- Double run of EDPM gaskets
- Colour options - Externally

### Standard Glass Specification

6mm toughened outer pane,  
14mm Argon filled warm edge  
spacer, 8.8mm laminated Low E  
inner pane



Installation in Central London - Raised upstand - Size 2000mm x 2300mm



Designed & Assembled in Suffolk, England

Sunsquare Limited  
Kempson Way  
Bury St Edmunds  
Suffolk IP32 7AR  
01284 723377  
sunsquare.co.uk



FM 597286

EMS 644865



KM 619677  
PP 519