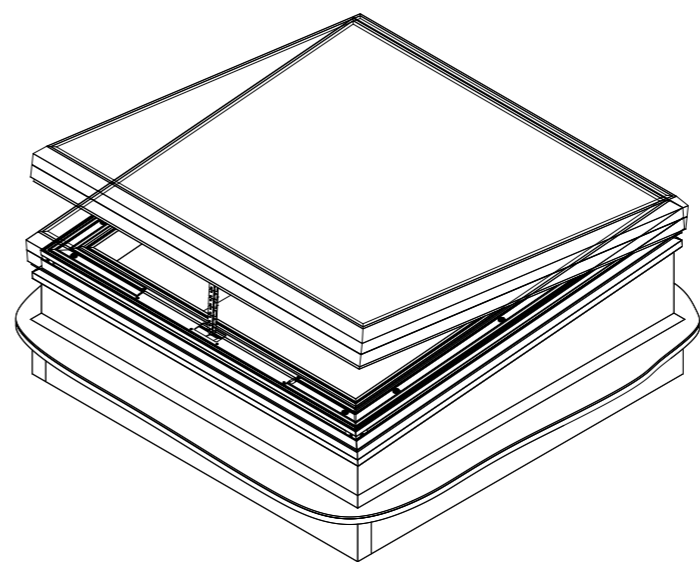
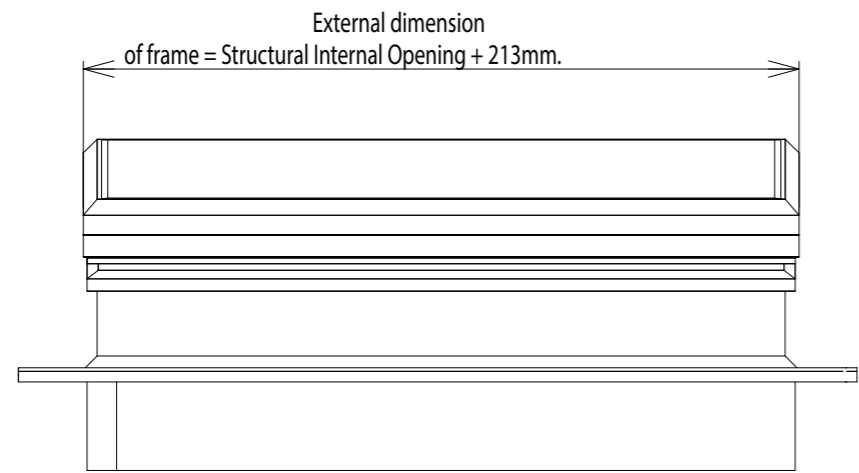
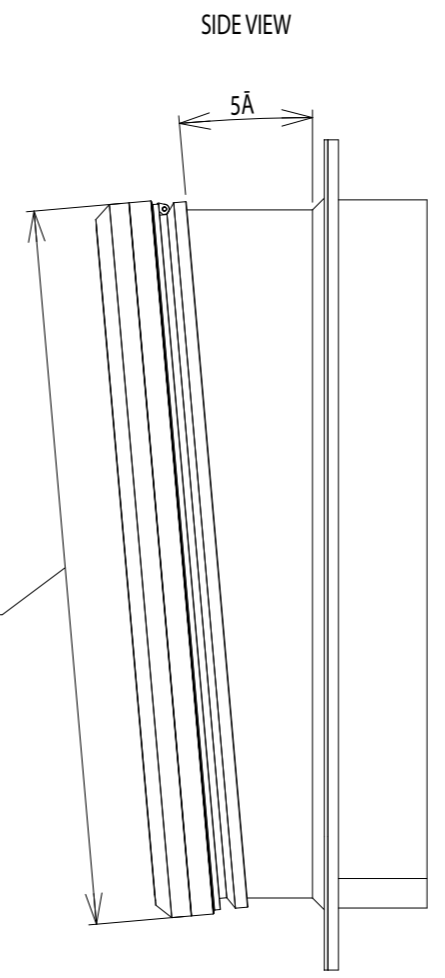


External dimension  
of frame =  
Structural Internal Opening  
+ 213mm.



FRONT VIEW

ISOMETRIC VIEW

Customer  
-  
Title  
Aero electric vent 24V DC.

Date  
02/06/2015

Drawn By  
WK

Material

Project  
STD-1701-001 (I)

© 2014 This drawing remains the property of  
Sunsquare Limited and must not be copied or  
passed to a third party without written permission.

Sunsquare Limited  
Unit D1 Drinkstone Investment Park  
Kempson Way  
Bury St Edmunds  
Suffolk IP32 7AR  
0845 226 3172

sunsquare.co.uk

| ZONE      | REV. | DESCRIPTION  | DATE       | APPROVED |
|-----------|------|--|------------|----------|
|           | A    | Added new ISO BLOCO joint sealant tape for fast and straightforward fitting. | 01/06/2016 |          |
| REVISIONS |      |  |            |          |