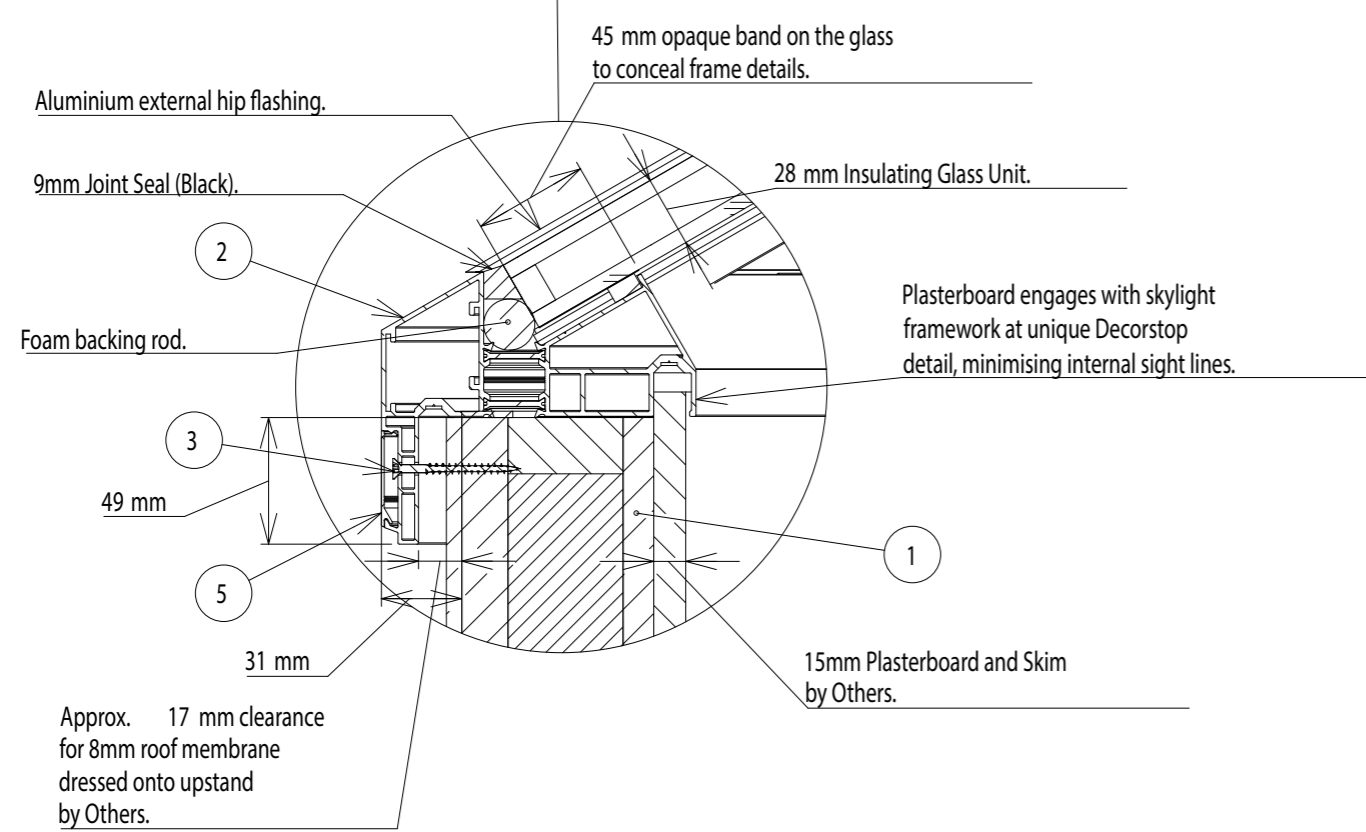


SECTION A-A



ITEM NO.	DESCRIPTION	QTY.
1	75mm fully insulated upstand supplied by Sunsquare Ltd. (Optional).	1
2	Pyramid 30 - Square.	1
3	4.5x50 Wood Screw.	12
4	ISO BLOCO joint sealant tape supplied by Sunsquare Ltd.	1
5	Pyramid capping.	4

Customer
-

Title
Pyramid 30 - Square.

Date
08/09/2014

Drawn By
WK

Material

Project
STD-1501-002 (I)

© 2014 This drawing remains the property of Sunsquare Limited and must not be copied or passed to a third party without written permission.

Sunsquare Limited
Unit D1 Drinkstone Investment Park
Kempson Way
Bury St Edmunds
Suffolk IP32 7AR
0845 226 3172

sunsquare.co.uk