

143 mm overall height of the skylight.

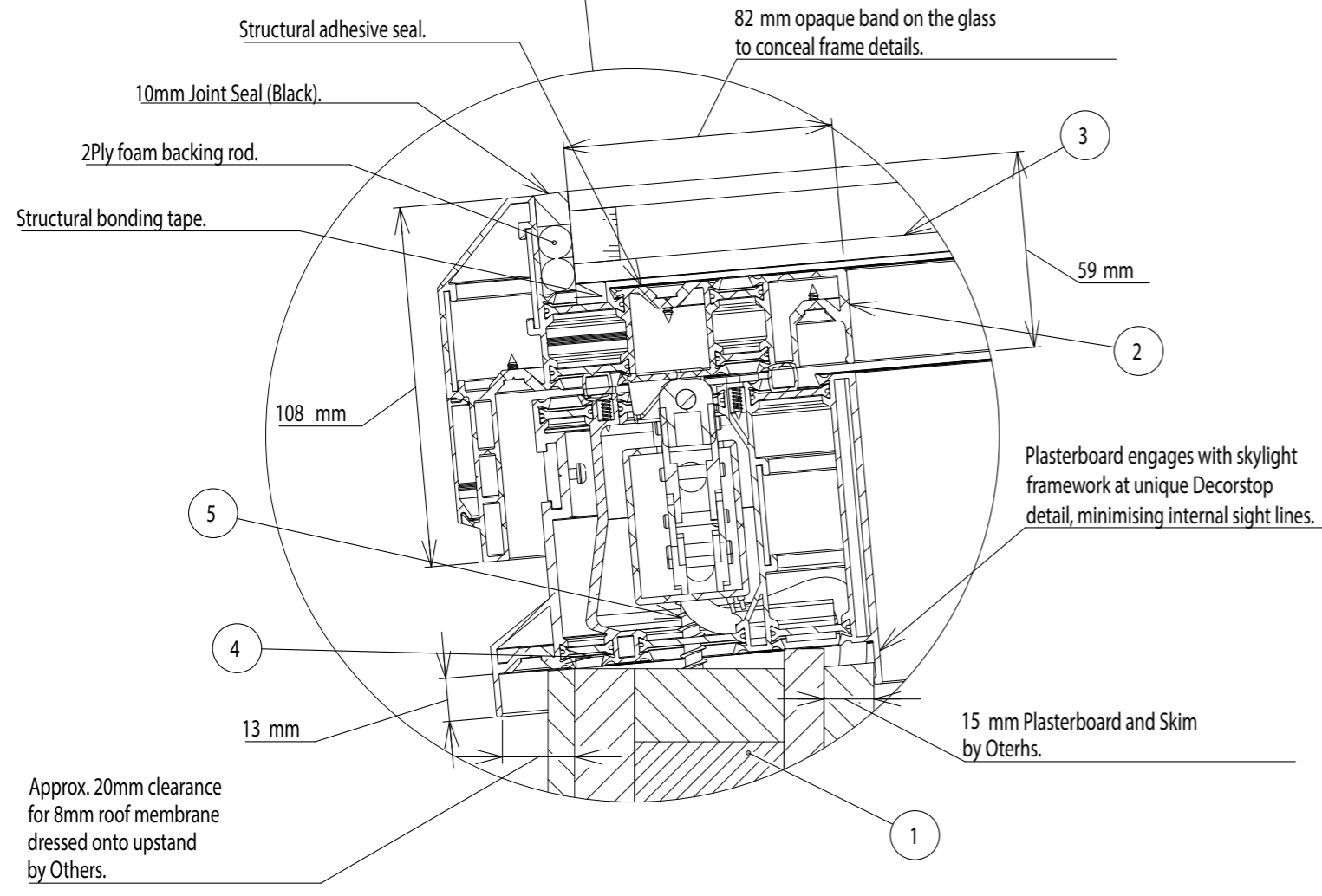
Hinges.

Recommended min. height at front panel of the upstand. 150 mm

Max. 22 mm clearance for 12mm roof membrane by Others.

Structural Internal Opening (width) taken from internal faces of aperture.

SECTION A-A



Structural adhesive seal.

10mm Joint Seal (Black).

2Ply foam backing rod.

Structural bonding tape.

108 mm

59 mm

82 mm opaque band on the glass to conceal frame details.

Plasterboard engages with skylight framework at unique Decorstop detail, minimising internal sight lines.

15 mm Plasterboard and Skim by Others.

13 mm

Approx. 20mm clearance for 8mm roof membrane dressed onto upstand by Others.

ITEM NO.	DESCRIPTION	QTY.
1	75mm fully insulated upstand supplied by Sunsquare Ltd. (Optional)	1
2	Aero vent frame.	1
3	28mm Insulated Glass Unit.	1
4	ISO BLOCO joint sealant tape supplied by Sunsquare Ltd.	1
5	M8x120 coach screws with torx screwdriver bit T40 supplied by Sunsquare Ltd.	10

Customer -

Title Aero electric vent 24V DC.

Date 02/06/2015

Drawn By WK

Material N/A

Project STD-1701-002 (I)

© 2014 This drawing remains the property of Sunsquare Limited and must not be copied or passed to a third party without written permission.

Sunsquare Limited
 Unit D1 Drinkstone Investment Park
 Kempson Way
 Bury St Edmunds
 Suffolk IP32 7AR
 0845 226 3172

sunsquare.co.uk