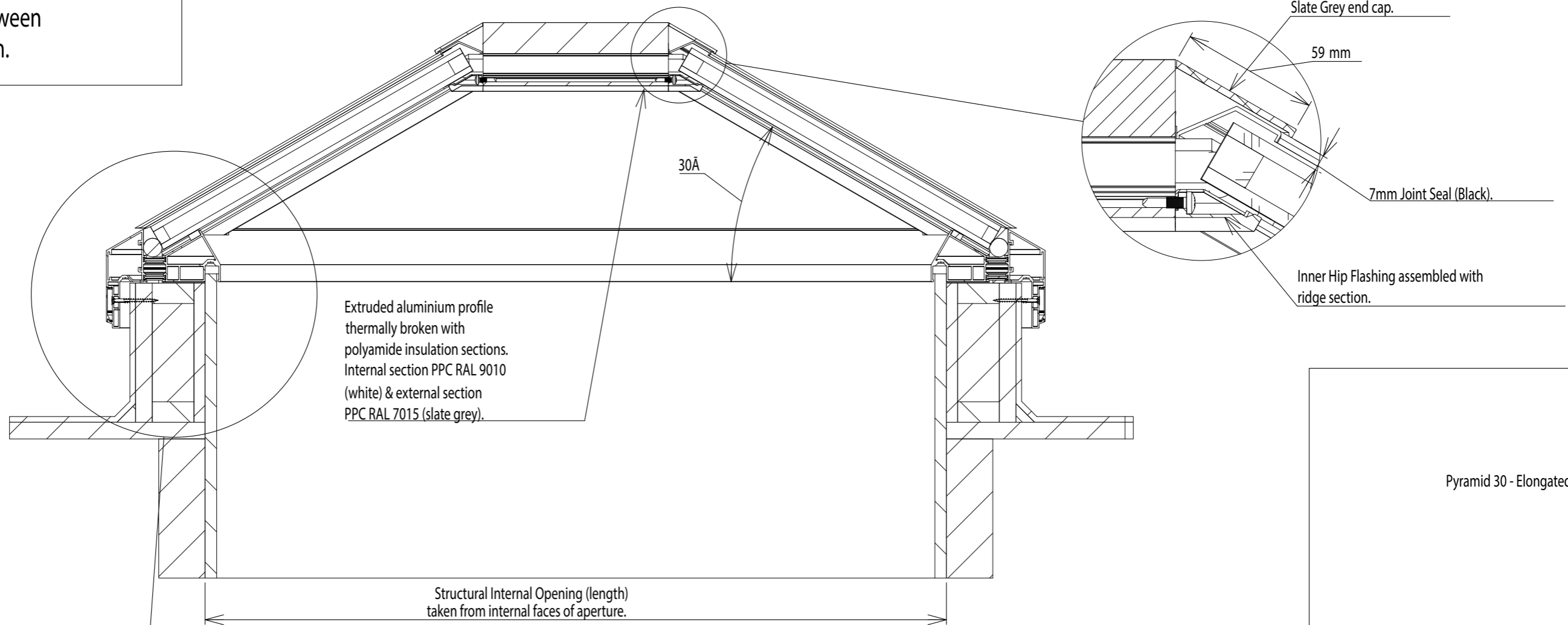


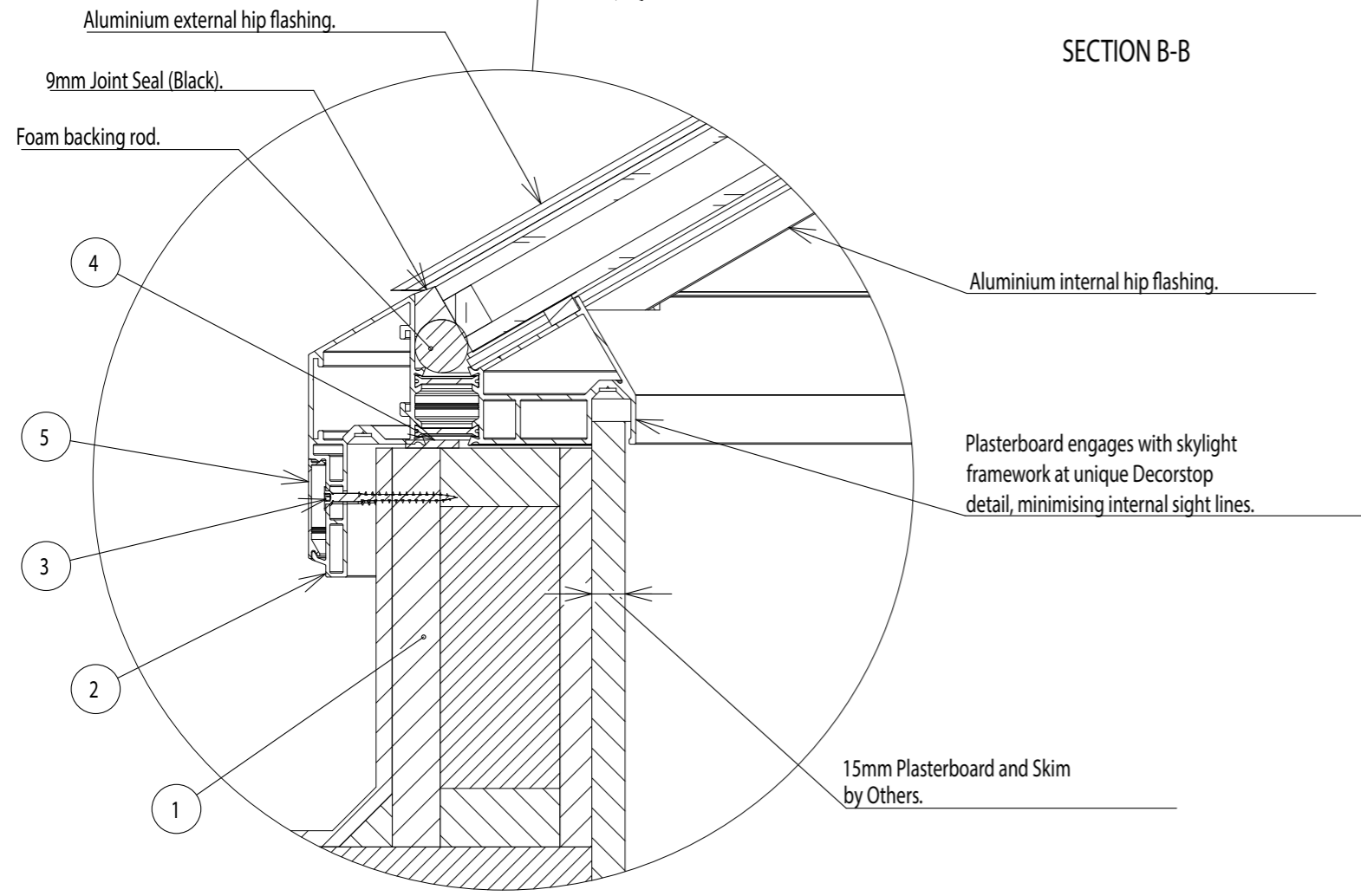
Note:  
Minimum difference between  
length and width 100mm.



Extruded aluminium profile  
thermally broken with  
polyamide insulation sections.  
Internal section PPC RAL 9010  
(white) & external section  
PPC RAL 7015 (slate grey).

Structural Internal Opening (length)  
taken from internal faces of aperture.

SECTION B-B



Aluminium external hip flashing.

9mm Joint Seal (Black).

Foam backing rod.

Aluminium internal hip flashing.

Plasterboard engages with skylight  
framework at unique Decorstop  
detail, minimising internal sight lines.

15mm Plasterboard and Skim  
by Others.

ITEM NO.	DESCRIPTION	QTY.
1	75mm fully insulated upstand supplied by Sunsquare Ltd. (Optional).	1
2	Pyramid 30 - Elongated.	1
3	4.5x50 Wood Screw.	12
4	ISO BLOCO joint sealant tape supplied by Sunsquare Ltd.	1
5	Pyramid capping.	4

Customer  
-  
Title  
Pyramid 30 - Elongated.  
Date  
08/06/2014  
Drawn By  
WK  
Material  
Project  
GA-1502-003 (I)

© 2014 This drawing remains the property of Sunsquare Limited and must not be copied or passed to a third party without written permission.

Sunsquare Limited  
Unit D1 Drinkstone Investment Park  
Kempson Way  
Bury St Edmunds  
Suffolk IP32 7AR  
0845 226 3172

sunsquare.co.uk