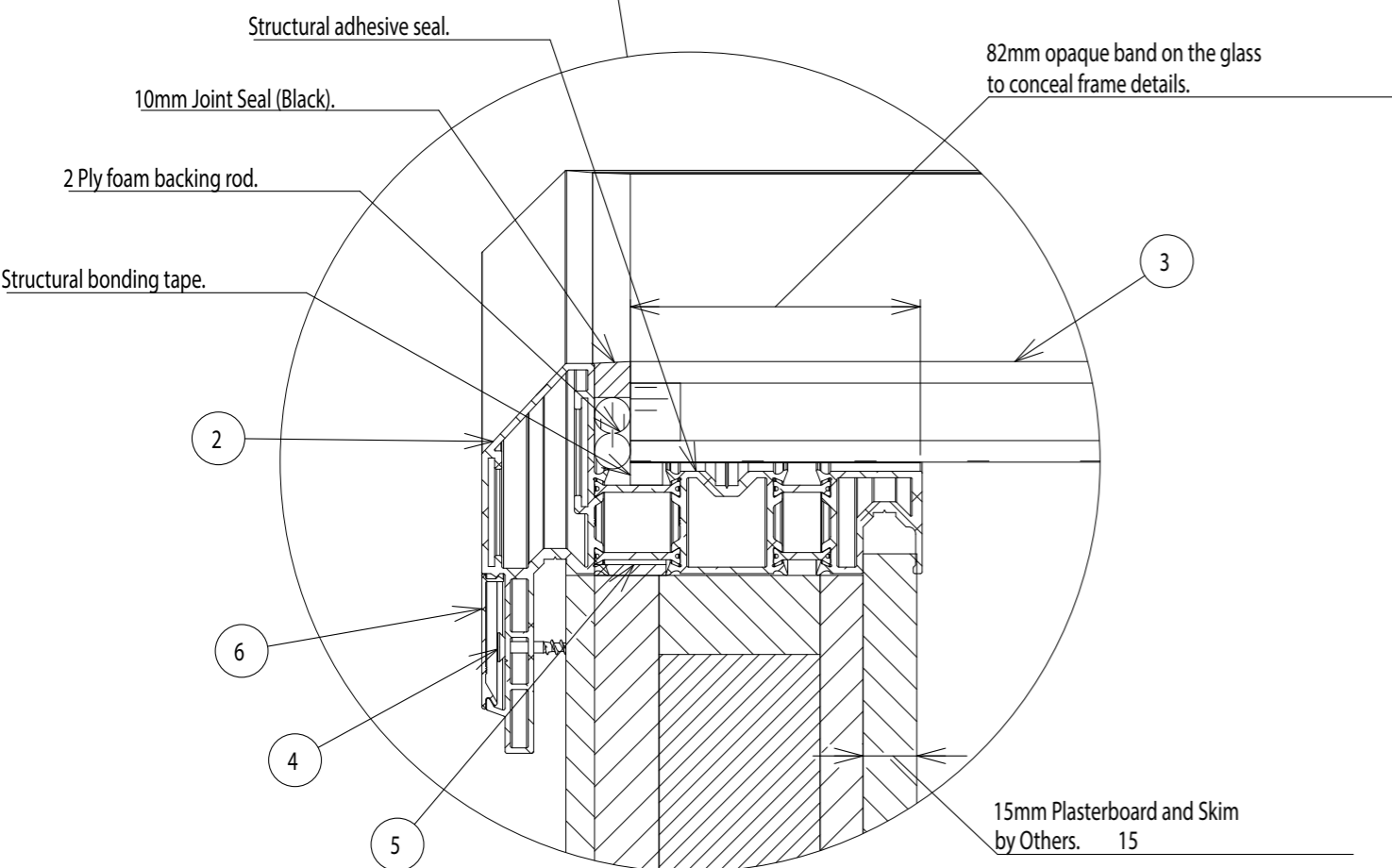


SECTION B-B



ITEM NO.	DESCRIPTION	QTY.
1	75mm fully insulated upstand supplied by Sunsquare Ltd. (Optional)	1
2	Skyview frame.	1
3	28mm Insulated Glass Unit.	1
4	4.5x50 Wood Screw.	12
5	ISO BLOCO joint sealant tape supplied by Sunsquare Ltd.	1
6	Skyview capping.	4

Customer

-

Title

Skyview.

Date

02/06/2015

Drawn By

WK

Material

N/A

Project

STD-1601-003 (I)

© 2014 This drawing remains the property of Sunsquare Limited and must not be copied or passed to a third party without written permission.

Sunsquare Limited
 Unit D1 Drinkstone Investment Park
 Kempson Way
 Bury St Edmunds
 Suffolk IP32 7AR
 0845 226 3172

sunsquare.co.uk