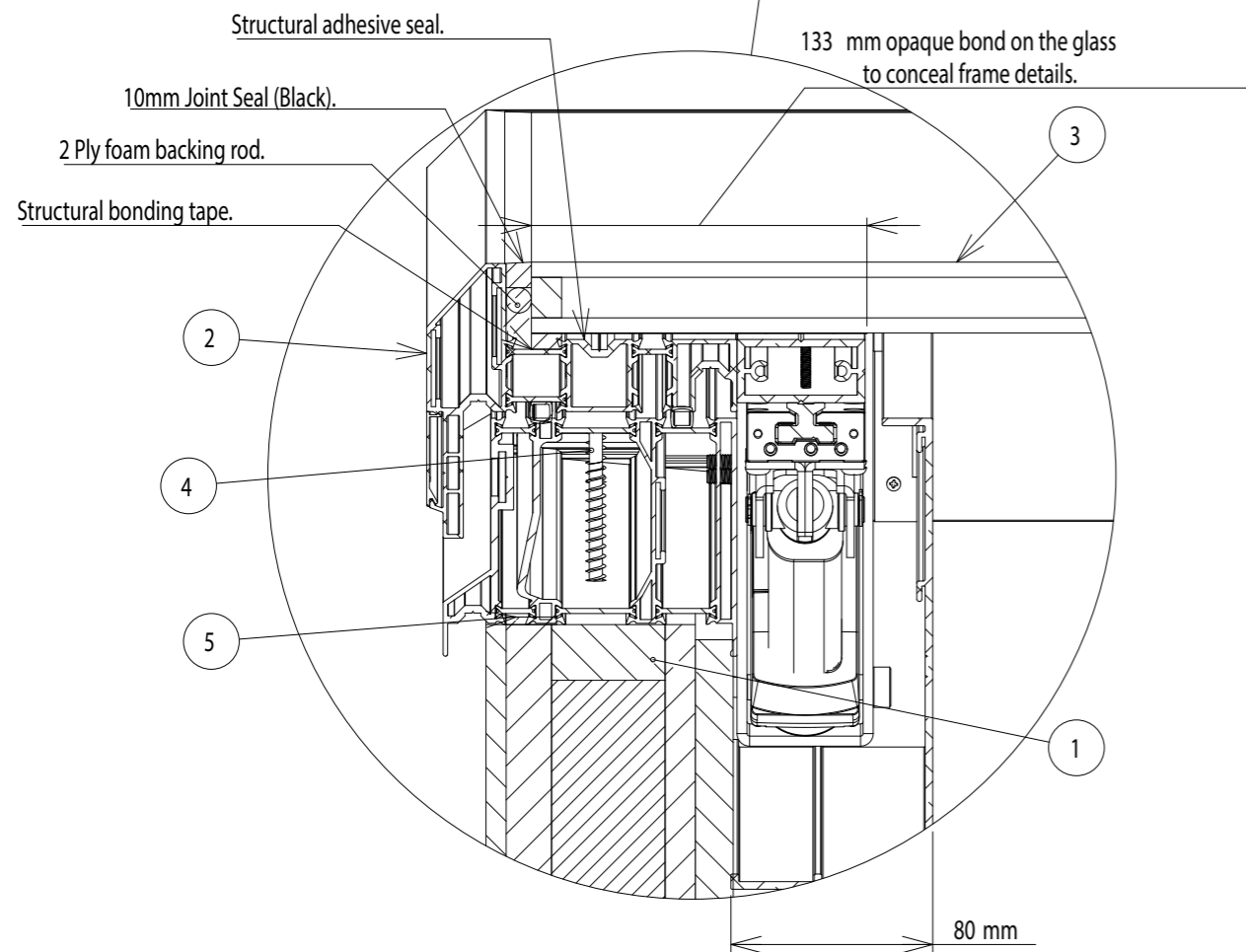


SECTION B-B



ITEM NO.	DESCRIPTION	QTY.
1	75mm fully insulated upstand supplied by Sunsquare Ltd. (Optional)	1
2	Aero elec. access 24V DC.	1
3	28mm Insulating glass unit.	1
4	M8x120 coach screws with torx screwdriver bit T40 supplied by Sunsquare Ltd.	10
5	ISO BLOCO joint sealant tape supplied by Sunsquare Ltd.	1

Customer -
Title Aero Elec. Access 24V DC.

Date 20/05/2015

Drawn By WK

Material N/A

Project STD-1702-003 (I)

© 2014 This drawing remains the property of Sunsquare Limited and must not be copied or passed to a third party without written permission.

Sunsquare Limited
Unit D1 Drinkstone Investment Park
Kempson Way
Bury St Edmunds
Suffolk IP32 7AR
0845 226 3172

sunsquare.co.uk