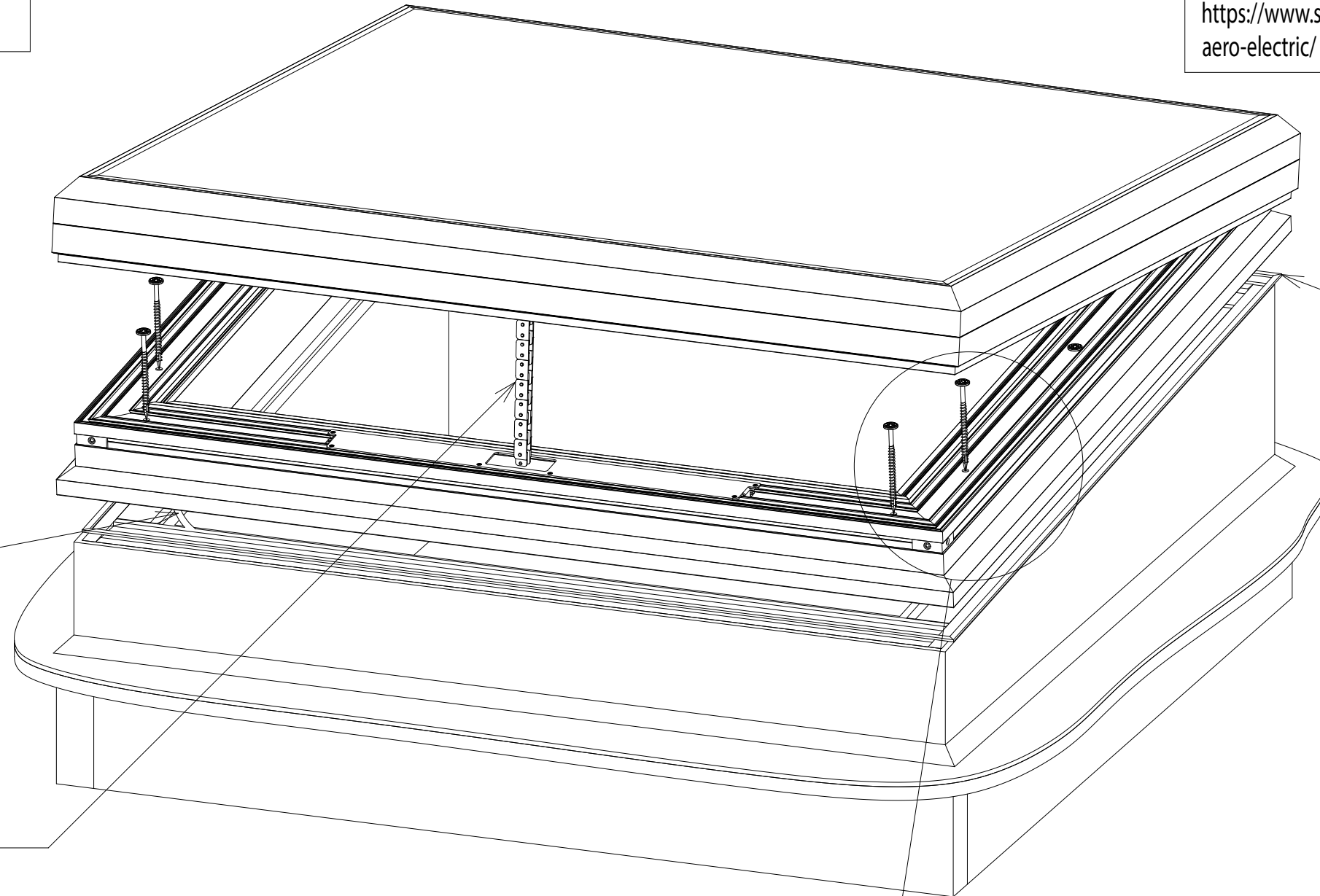


NOTE:  
Power the skylight (24V DC actuators) to the open position by following the wiring diagram (WiringVisualization-WUC102-001 (I) or 002 (I)). Wiring diagram supplied with skylight. This can be temporary wiring for fixing purposes.

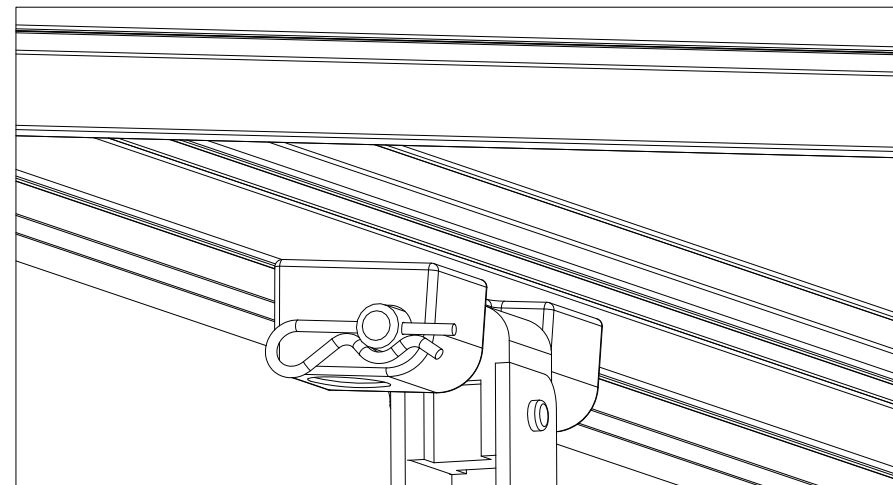
Note:  
How to assemble upstand go to  
<https://www.sunsquare.co.uk/products/upstand/Aero Electric Vent installation guide>  
<https://www.sunsquare.co.uk/skylights-androoflights/aero-electric/>



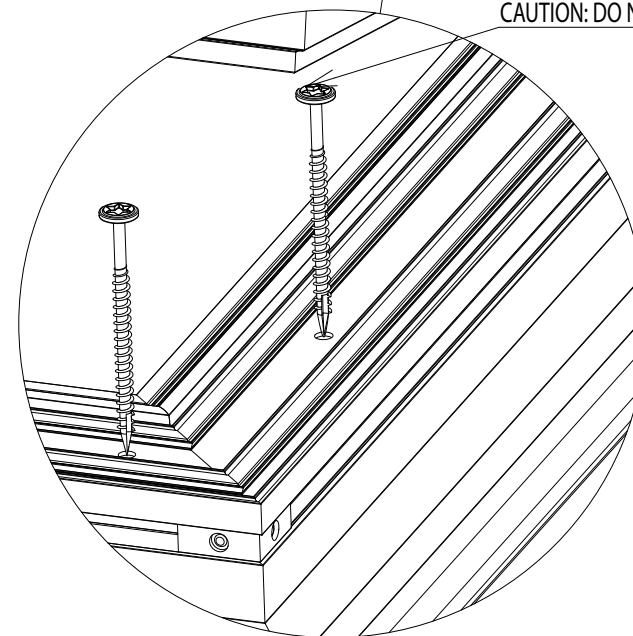
ISO BLOCO tape:  
A pre-compressed joint sealant tape for protection against wind drift, as well as providing both thermal and acoustic insulation while remaining permanently elastic to accommodate diurnal and other movement.

NOTE:  
Power cable exits through Decor-stop detail at this location for one or multiple synchronized actuators.

NOTE:  
24V DC chain actuator completely concealed within base frame when in closed position. For large units multiple synchronized actuators. 150mm to 300mm of overall movement of chain actuator.



NOTE:  
Disconnect the actuator chain from top bracket by disengaging the spring clip and remove steel pin, this will allow the chain to be pulled free from the top bracket.



CAUTION: DO NOT OVERTIGHTEN SCREWS.



Customer -  
Title Aero electric vent 24V DC.

Date 02/06/2015

Drawn By WK

Material N/A

Project STD-1701-004 (I)

© 2014 This drawing remains the property of Sunsquare Limited and must not be copied or passed to a third party without written permission.

Sunsquare Limited  
Unit D1 Drinkstone Investment Park  
Kempson Way  
Bury St Edmunds  
Suffolk IP32 7AR  
0845 226 3172

sunsquare.co.uk