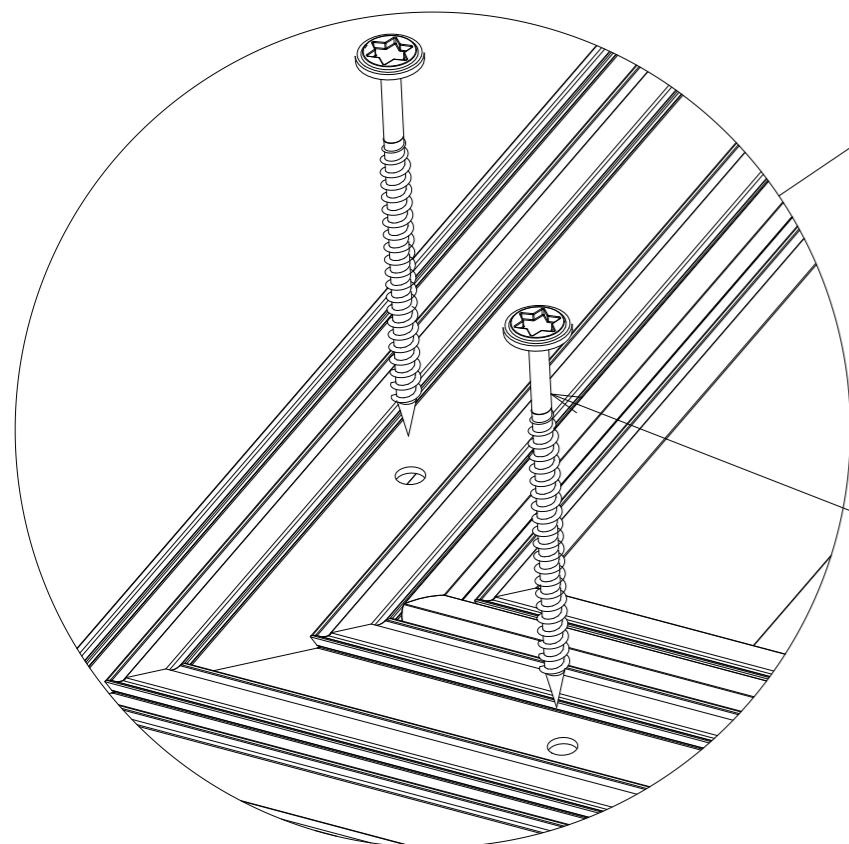
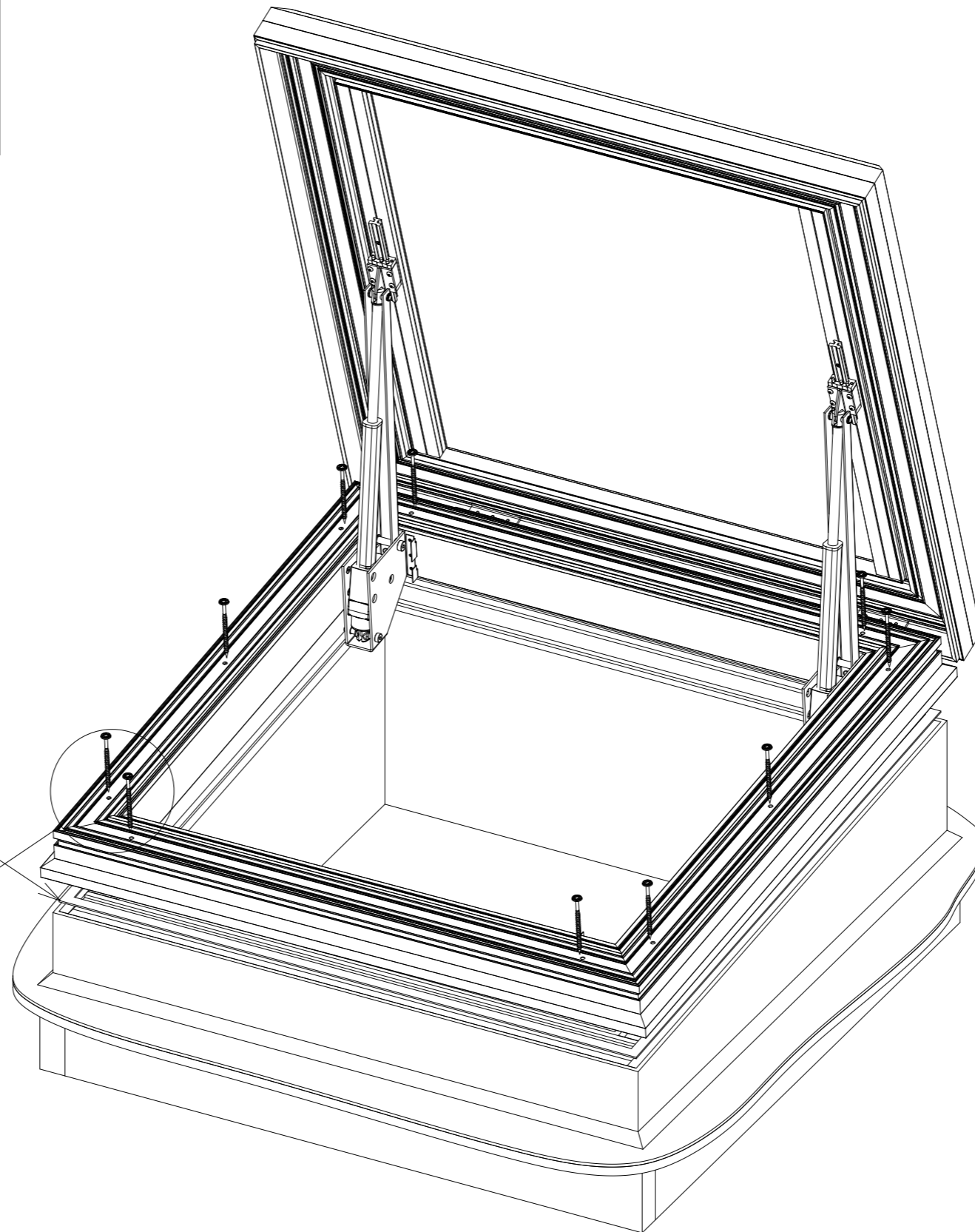


Note:
 How to assemble upstand go to
<https://www.sunsquare.co.uk/products/upstand/>
 Aero Electric Roof Access installation guide
<https://www.sunsquare.co.uk/skylights-and-rooflights/aero-electric-access/>

ISO BLOCO tape:
 A pre-compressed joint sealant
 tape for protection against wind
 drift, as well as providing both
 thermal and acoustic insulation
 while remaining permanently elastic
 to accommodate diurnal and other
 movement.



CAUTION: DO NOT OVERTIGHTEN SCREWS.



Customer

Title

Aero Elec. Access 24V DC.

Date

20/05/2015

Drawn By

WK

Material

N/A

Project

STD-1702-005 (I)

© 2014 This drawing remains the property of
 Sunsquare Limited and must not be copied or
 passed to a third party without written permission.

Sunsquare Limited
 Unit D1 Drinkstone Investment Park
 Kempson Way
 Bury St Edmunds
 Suffolk IP32 7AR
 0845 226 3172

sunsquare.co.uk