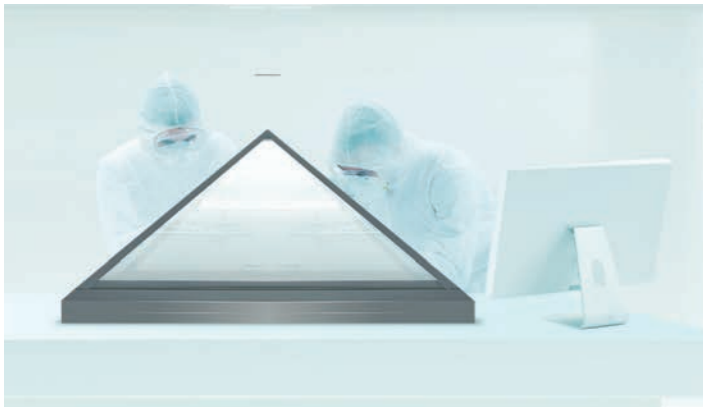




### Design & Manufacturing Excellence

Since 2004, Sunsquare Limited have been pioneering skylight designs, always aiming for the highest possible specification. By choosing Sunsquare to fulfil your skylight needs you can be safe in the knowledge that each product has been designed truly for its purpose; refined through rigorous prototyping, manufactured in-house in the UK and offered with a full warranty.



### Testing & Certification

Sunsquare are the first skylight manufacturer in the world to have been awarded a BSI KiteMark™ for their entire range.

Over a two year period rigorous laboratory testing was undertaken to assess the safety, weather tightness, air permeability and wind resistance, with standards being surpassed by quite some margin.



### Believing in Better

At Sunsquare we believe in better, appreciating that our entire business and reputation is reliant on our ability to design effective products; because a good design makes good products and a good product makes a good business.

We hope that your experience of Sunsquare proves to be a positive one and we thank you for your custom.



Designed & Manufactured in Suffolk, England

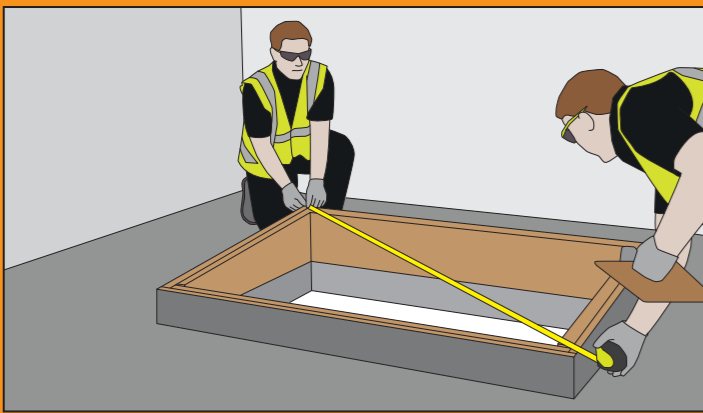


**Sunsquare Limited**  
Kempson Way  
Bury St Edmunds  
Suffolk IP32 7AR  
Tel. 01284 723377



SKYVIEW INSTALLATION MANUAL





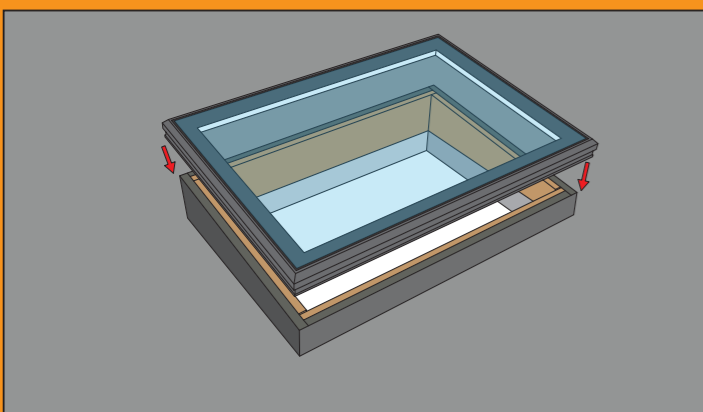
**Step One :**

Check the pre-installed upstand dimensions prior to lifting the skylight onto the roof area.

It is important to confirm that the upstand is square. This is achieved by comparing measurements taken across the diagonally opposite corners. If the upstand is square these dimensions will be the same.

**Step Two :**  
Make sure that the top face of the upstand is clean, dry and free from undulations. Apply the skylight bedding tape (supplied) to the full perimeter of the upstand, along the outer edge.

Press the tape down firmly with your fingers to confirm full adhesion.



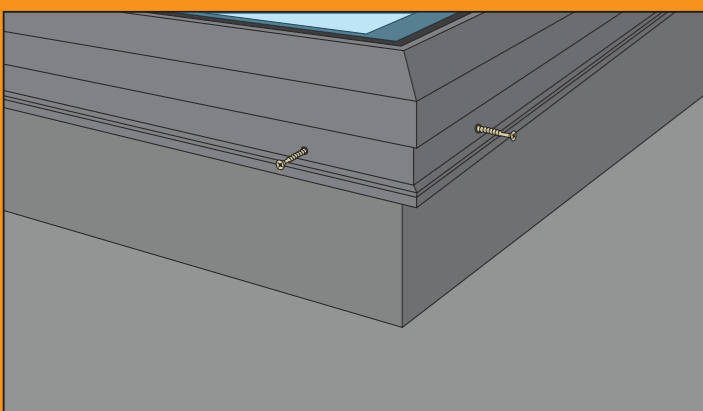
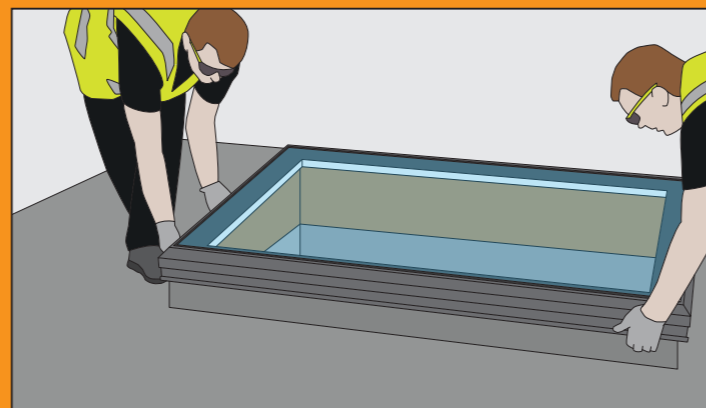
**Step Three :**

Carefully lower the SkyView skylight onto the upstand, being careful not to trap your fingers between the upstand and skylight frame.

Check that the skylight is sat soundly onto the upstand, the frame should be continuously supported on all sides.

**Step Four :**  
Carefully adjust the position of the skylight making sure it is correctly centred over the aperture.

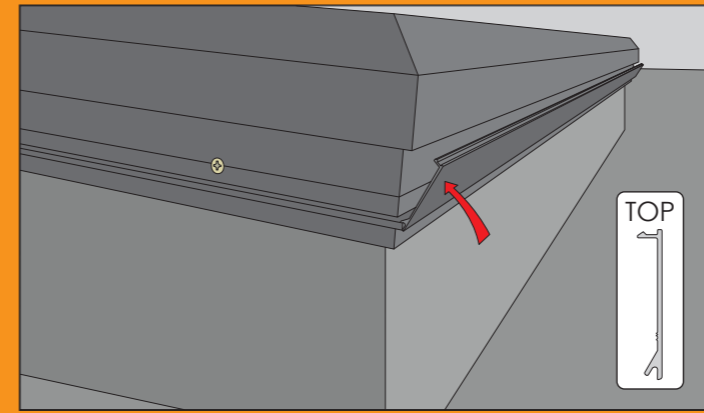
Before moving onto the next step it is advisable to check the positioning of the skylight from the inside, as this will allow for easy fixing of the internal finishes.



**Step Five :**

Using the supplied screws fasten the skylight to the upstand through the pre-drilled holes.

Be careful not to over-tighten these screws as you risk deforming the aluminium frame.



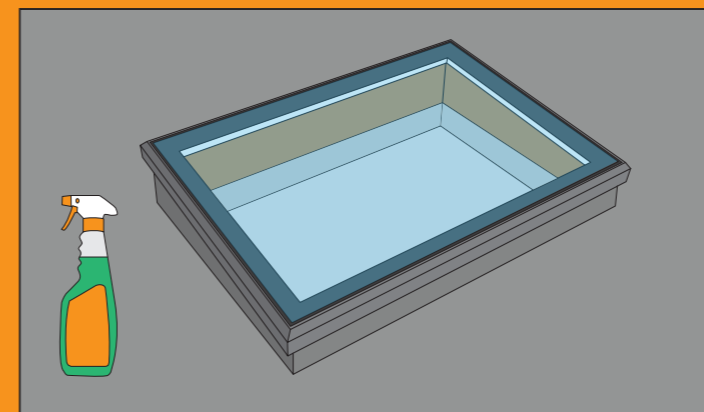
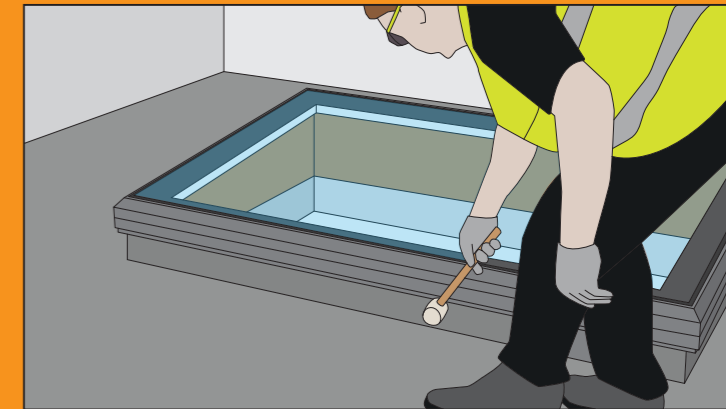
**Step Six :**

Install the screw cover trims by first locating the bottom edge, then rotate the trim upwards.

Correct installation will be achieved when you hear the trim "snap" into position.

As each section is installed check alignment at the corners, making small adjustments with a soft faced mallet as required.

**Step Seven :**  
To ensure the screw cover trims are firmly located it is advisable to lightly tap the profile along it's length with a soft faced mallet. By doing so you can be sure that the profile is fully engaged.



**Step Eight :**

This completes the installation of the Sunsquare SkyView skylight. You are now able to remove all protective films for disposal.

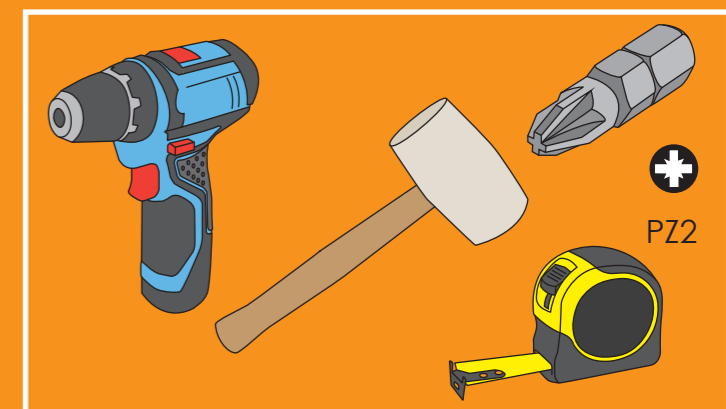
Thoroughly clean the newly installed skylight using a proprietary glass cleaner and a soft lint free cloth.

**IMPORTANT NOTE:**

TO SUCCESSFULLY COMPLETE THIS INSTALLATION YOU ARE ADVISED TO UTILISE A MINIMUM OF TWO OPERATIVES. (SKYLIGHTS ARE HEAVY - TAKE CARE WHILE HANDLING)

YOU WILL REQUIRE THE FOLLOWING TOOLS:

- CORDLESS DRILL / DRIVER
- TAPE MEASURE
- PZ2 DRIVER BIT
- SOFT FACED Mallet



Sunsquare take Health & Safety very seriously and we would recommend you protect yourself while installing your skylight by wearing safety boots, goggles and gloves...



If you experience any difficulty while installing your skylight, please contact our technical team for help by phone on 01284 723377