

Customer  
-

Title  
Flat 75mm fully insulated upstand supplied for Pyramid 30 degree by Sunsquare Limited.

Date  
08/09/2014

Drawn By  
WK

Material  
N/A

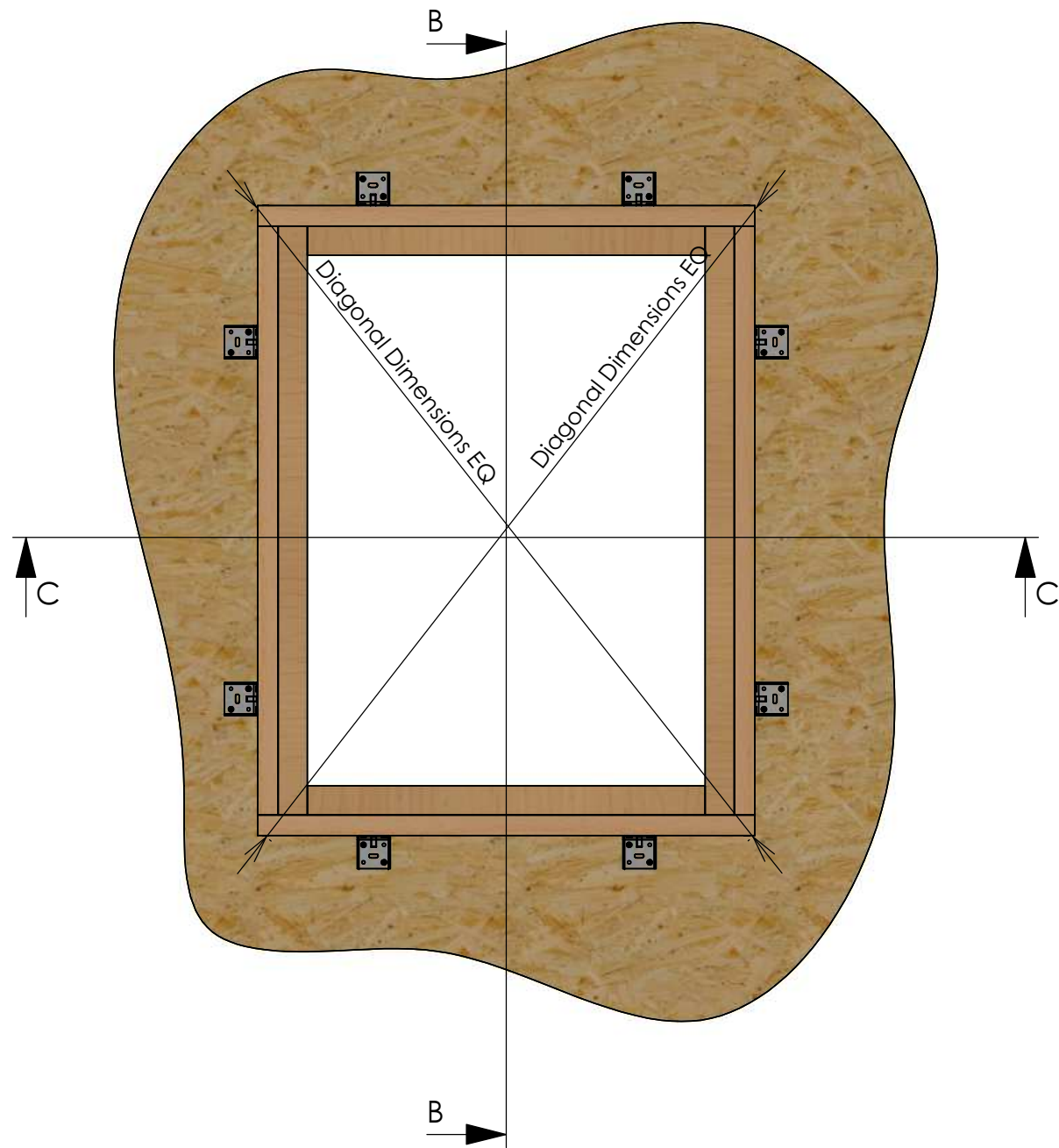
Project  
STD-1011-001 (I)

© 2014 This drawing remains the property of Sunsquare Limited and must not be copied or passed to a third party without written permission.

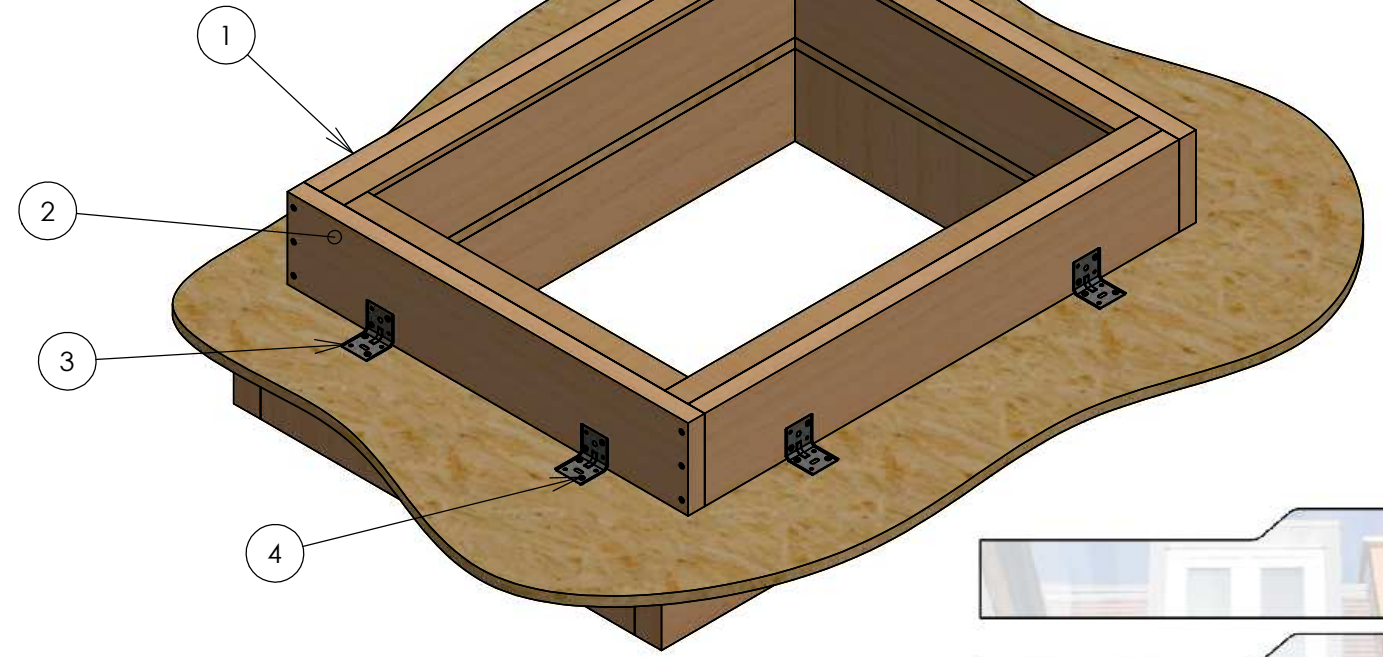
Sunsquare Limited  
Unit D1 Drinkstone Investment Park  
Kempson Way  
Bury St Edmunds  
Suffolk IP32 7AR  
0845 226 3172  
 sunsquare.co.uk

ITEM NO.	DESCRIPTION	QTY.
1	Front/Back panel 75mm fully insulated upstand supplied by Sunsquare Limited.	2
2	Side panel 75mm fully insulated upstand supplied by Sunsquare Limited.	2
3	AB-50-50-ANGLE BRACKER	8
4	4.5x50 Wood Screw.	44
5	Roof.	1

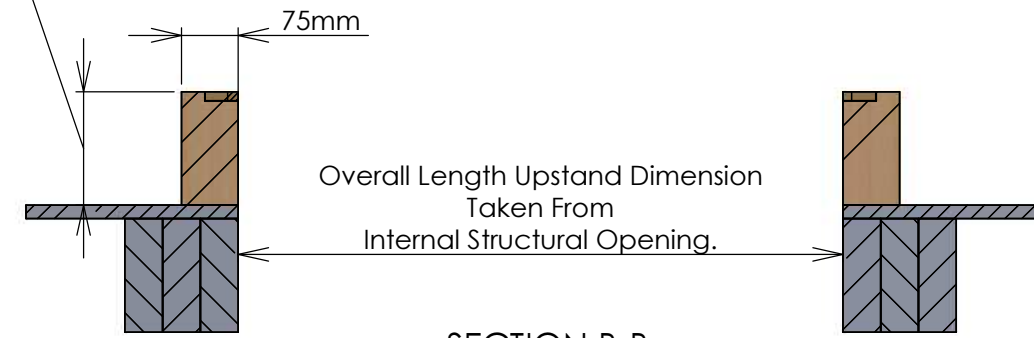
ZONE	REV.	DESCRIPTION	DATE	APPROVED
REVISIONS				



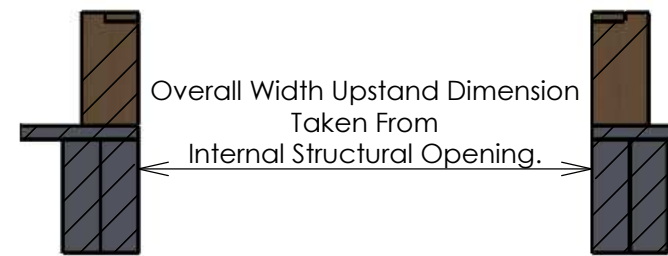
View of fully assembled upstand  
by Others.



Recommended upstand height  
150mm (Min.).



SECTION B-B



SECTION C-C

Customer  
-

Title  
Flat 75mm fully insulated  
upstand supplied for Pyramid 30  
degree by Sunsquare Limited.

Date  
08/09/2014

Drawn By  
WK

Material

Project  
STD-1011-002 (I)

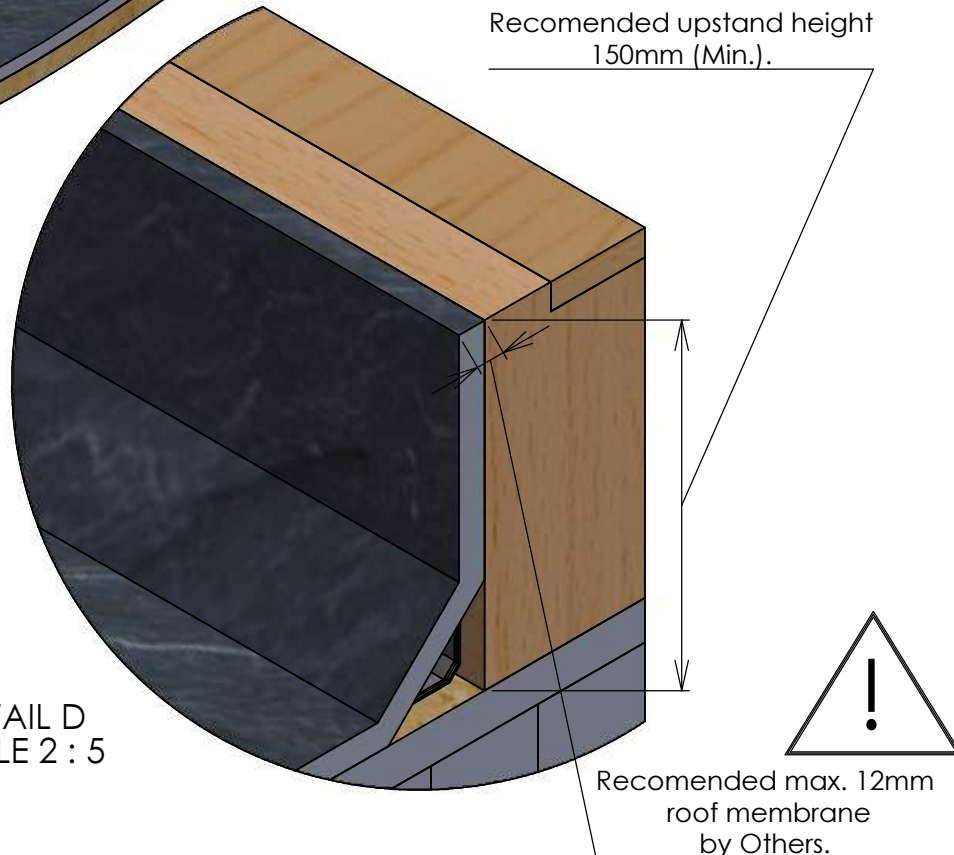
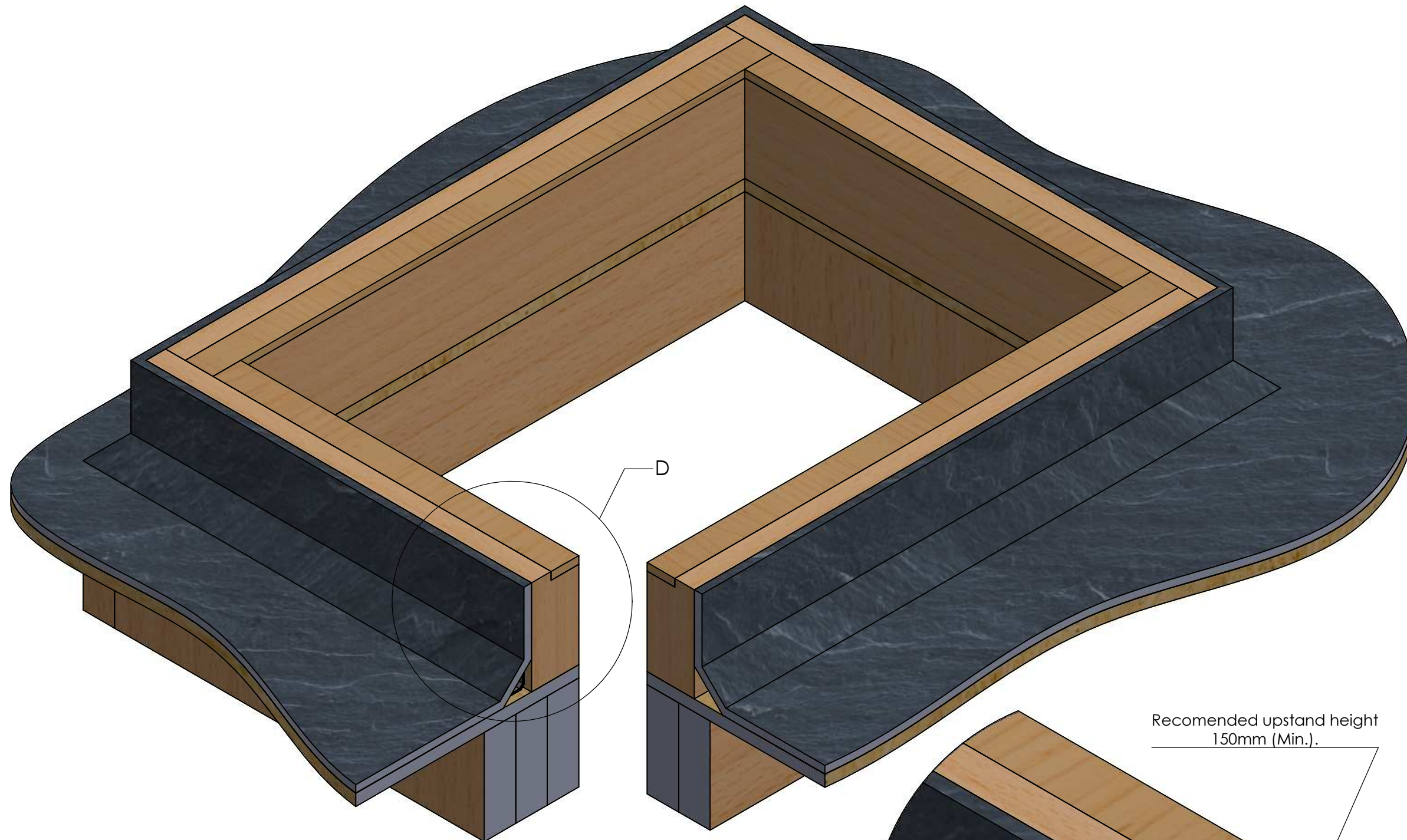
© 2014 This drawing remains the property of  
Sunsquare Limited and must not be copied or  
passed to a third party without written permission.

Sunsquare Limited  
Unit D1 Drinkstone Investment Park  
Kempson Way  
Bury St Edmunds  
Suffolk IP32 7AR  
0845 226 3172



sunsquare.co.uk

ITEM NO.	DESCRIPTION	QTY.
1	Front/Back panel 75mm fully insulated upstand supplied by Sunsquare Limited.	2
2	Side panel 75mm fully insulated upstand supplied by Sunsquare Limited.	2
3	AB-50-50-ANGLE BRACKER	8
4	4.5x50 Wood Screw.	44



Recommended upstand height  
150mm (Min.).

Recommended max. 12mm  
roof membrane  
by Others.

DETAIL D  
SCALE 2 : 5

Customer  
-

Title  
Flat 75mm fully insulated  
upstand supplied for Pyramid 30  
degree by Sunsquare Limited.

Date  
08/09/2014

Drawn By  
WK

Material  
N/A

Project  
STD-1011-003 (I)

© 2014 This drawing remains the property of  
Sunsquare Limited and must not be copied or  
passed to a third party without written permission.

Sunsquare Limited  
Unit D1 Drinkstone Investment Park  
Kempson Way  
Bury St Edmunds  
Suffolk IP32 7AR  
0845 226 3172



sunsquare.co.uk