

Customer
-

Title
Floorlight.

Date
22/01/2015

Drawn By
WK

Material

Project
STD-1401-FLOORLIGHT-001 (I)

© 2014 This drawing remains the property of Sunsquare Limited and must not be copied or passed to a third party without written permission.

Sunsquare Limited
Unit D1 Drinkstone Investment Park
Kempson Way
Bury St Edmunds
Suffolk IP32 7AR
0845 226 3172

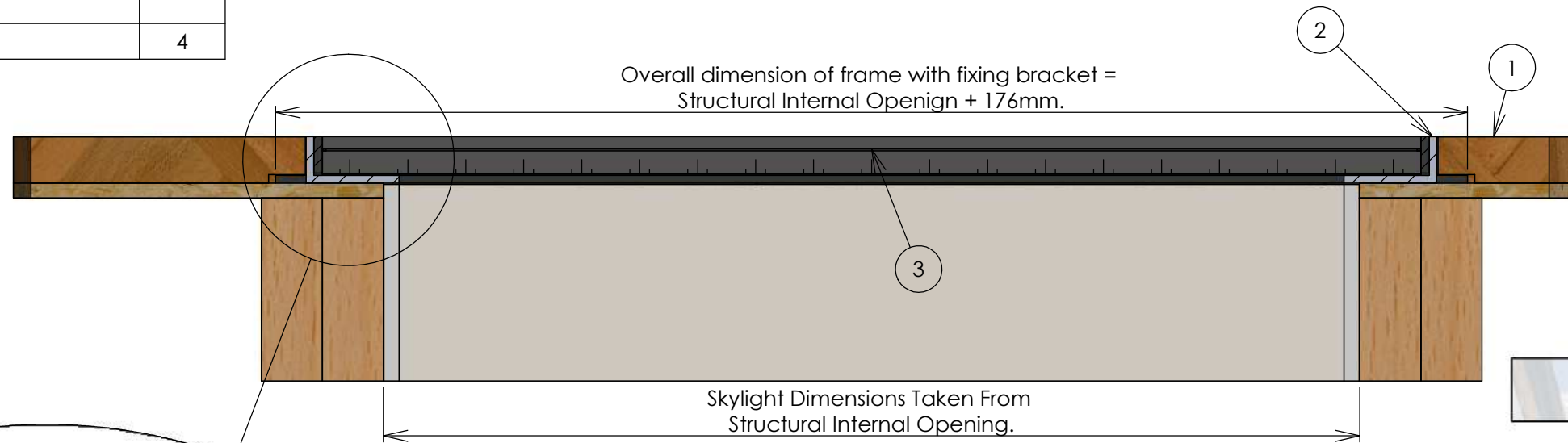


sunsquare.co.uk

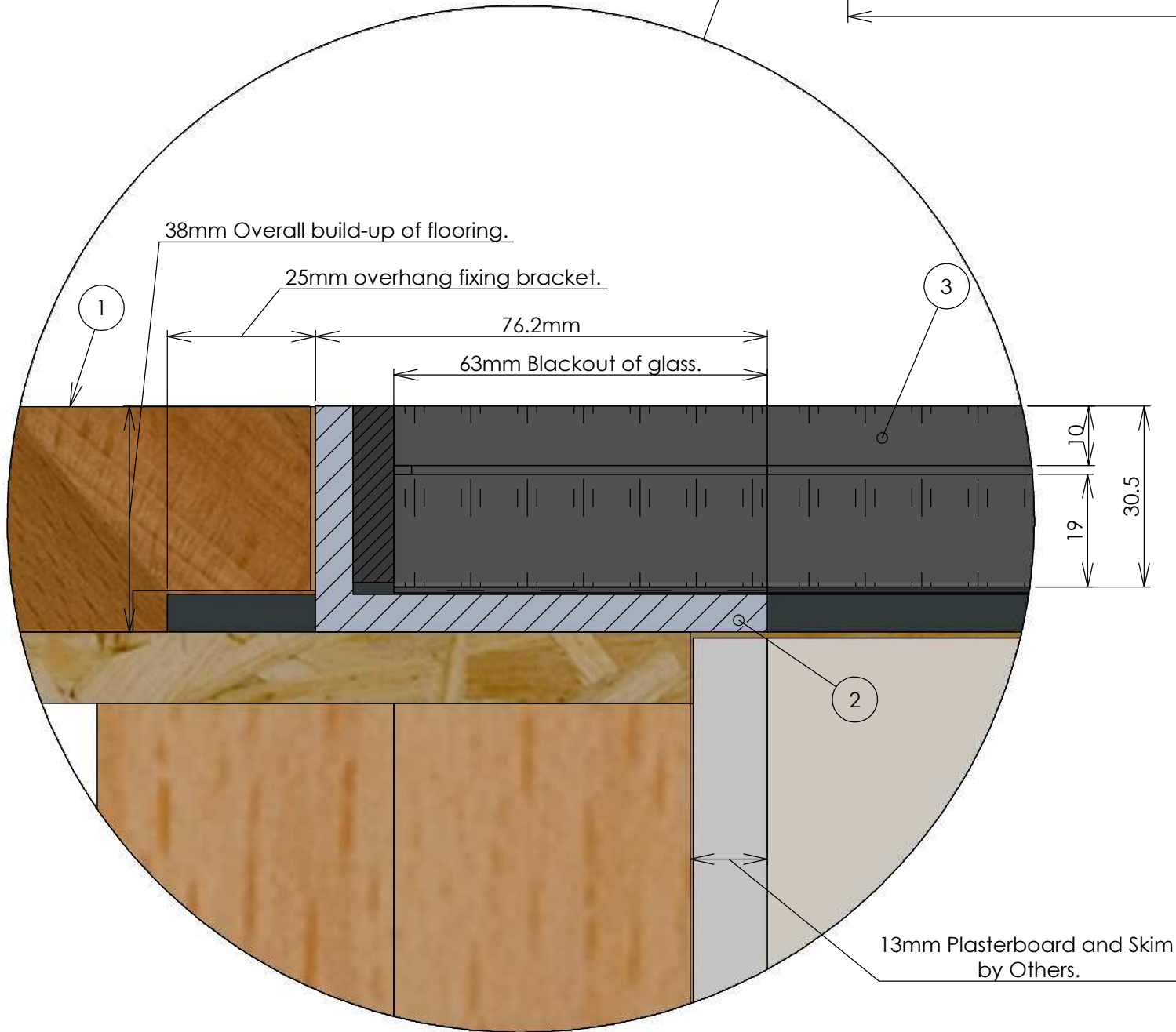
ITEM NO.	DESCRIPTION	QTY.
1	Floor with internal finish by Others.	N/A
2	Floorlight fabricated aluminium framework polyester powder coated to RAL 9005 (Jet Black).	1
3	30.5mm Walk-On Glass Unit comprising of: 10mm Clear Float outer, 1.5mm PVB interlayer, 19mm Clear Float inner.	1
4	4.5x50 Wood Screw.	4

ZONE	REV.	DESCRIPTION	DATE	APPROVED
REVISIONS				

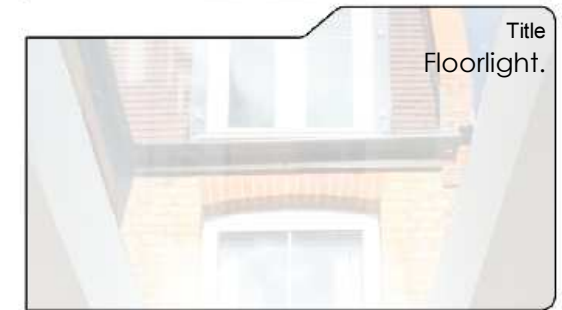
ITEM NO.	DESCRIPTION	QTY.
1	Floor with internal finish by Others.	N/A
2	Floorlight fabricated aluminium framework polyester powder coated to RAL 9005 (Jet Black).	1
3	30.5mm Walk-On Glass Unit comprising of: 10mm Clear Float outer, 1.5mm PVB interlayer, 19mm Clear Float inner.	1
4	4.5x50 Wood Screw.	4



SECTION A-A



Customer -



Date 22/01/2015

Drawn By WK

Material N/A

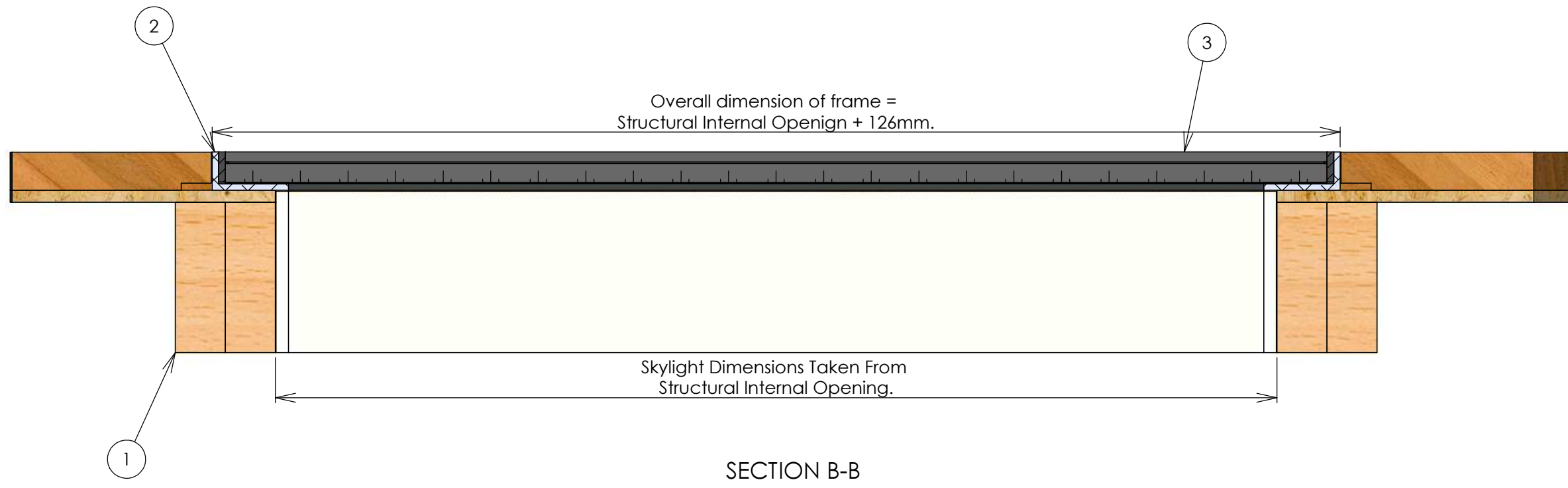
Project STD-1401-FLOORLIGHT-002 (I)

© 2014 This drawing remains the property of Sunsquare Limited and must not be copied or passed to a third party without written permission.

Sunsquare Limited
 Unit D1 Drinkstone Investment Park
 Kempson Way
 Bury St Edmunds
 Suffolk IP32 7AR
 0845 226 3172



sunsquare.co.uk



Customer
-

Title
Floorlight.

Date
22/01/2015

Drawn By
WK

Material
N/A

Project
STD-1401-FLOORLIGHT-003 (I)

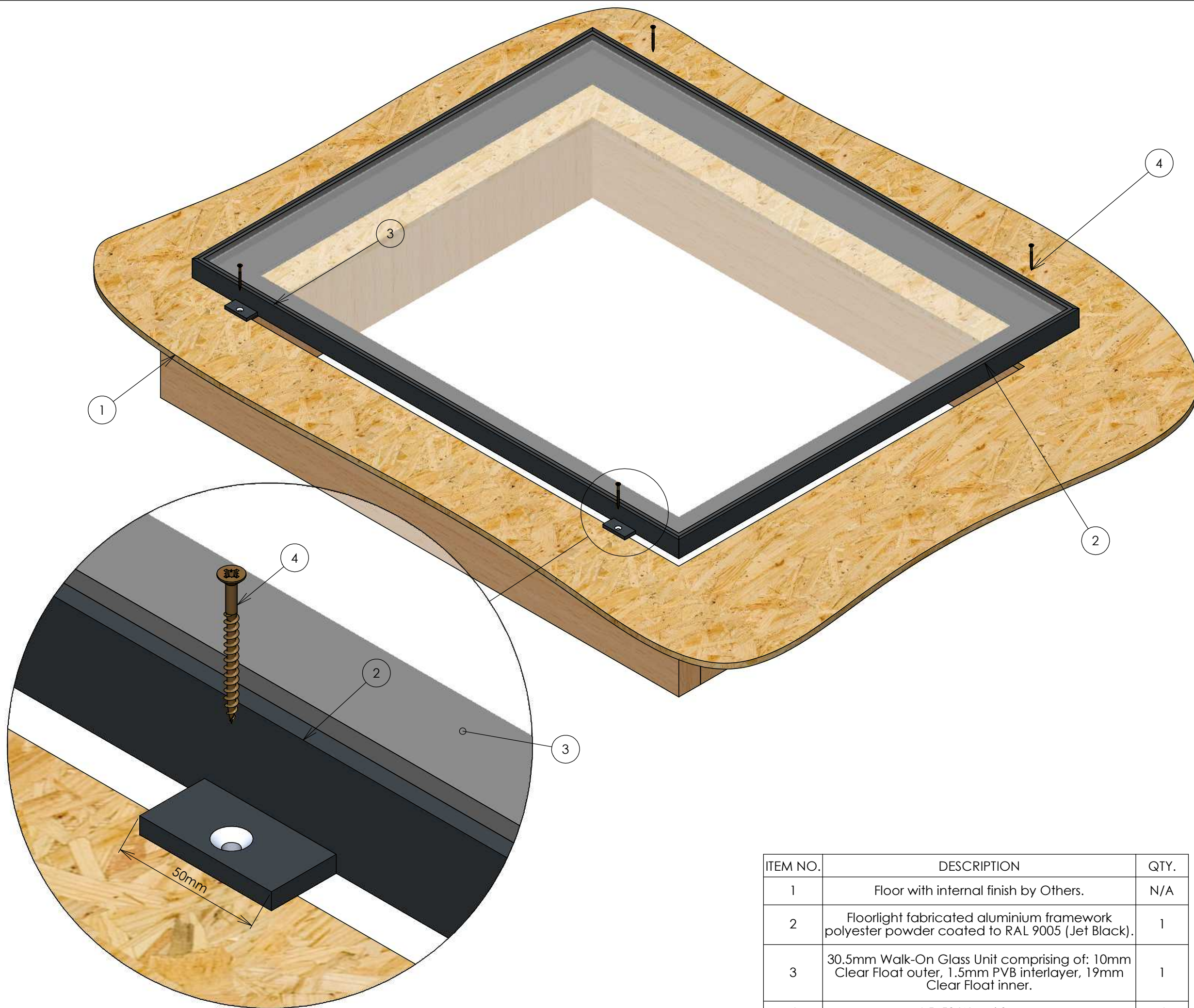
© 2014 This drawing remains the property of
Sunsquare Limited and must not be copied or
passed to a third party without written permission.

ITEM NO.	DESCRIPTION	QTY.
1	Floor with internal finish by Others.	N/A
2	Floorlight fabricated aluminium framework polyester powder coated to RAL 9005 (Jet Black).	1
3	30.5mm Walk-On Glass Unit comprising of: 10mm Clear Float outer, 1.5mm PVB interlayer, 19mm Clear Float inner.	1
4	4.5x50 Wood Screw.	4

Sunsquare Limited
Unit D1 Drinkstone Investment Park
Kempson Way
Bury St Edmunds
Suffolk IP32 7AR
0845 226 3172



sunsquare.co.uk



Customer
-

Title
Floorlight.

Date
22/01/2015

Drawn By
WK

Material
N/A

Project
STD-1401-FLOORLIGHT-004 (I)

© 2014 This drawing remains the property of Sunsquare Limited and must not be copied or passed to a third party without written permission.

ITEM NO.	DESCRIPTION	QTY.
1	Floor with internal finish by Others.	N/A
2	Floorlight fabricated aluminium framework polyester powder coated to RAL 9005 (Jet Black).	1
3	30.5mm Walk-On Glass Unit comprising of: 10mm Clear Float outer, 1.5mm PVB interlayer, 19mm Clear Float inner.	1
4	4.5x50 Wood Screw.	4

Sunsquare Limited
Unit D1 Drinkstone Investment Park
Kempson Way
Bury St Edmunds
Suffolk IP32 7AR
0845 226 3172



sunsquare.co.uk