

DETAIL C
SCALE 2 : 5

Customer
-

Title
Square Pyramid 30.

Date
08/09/2014

Drawn By
WK

Material
N/A

Project
STD-1501-001 (I)

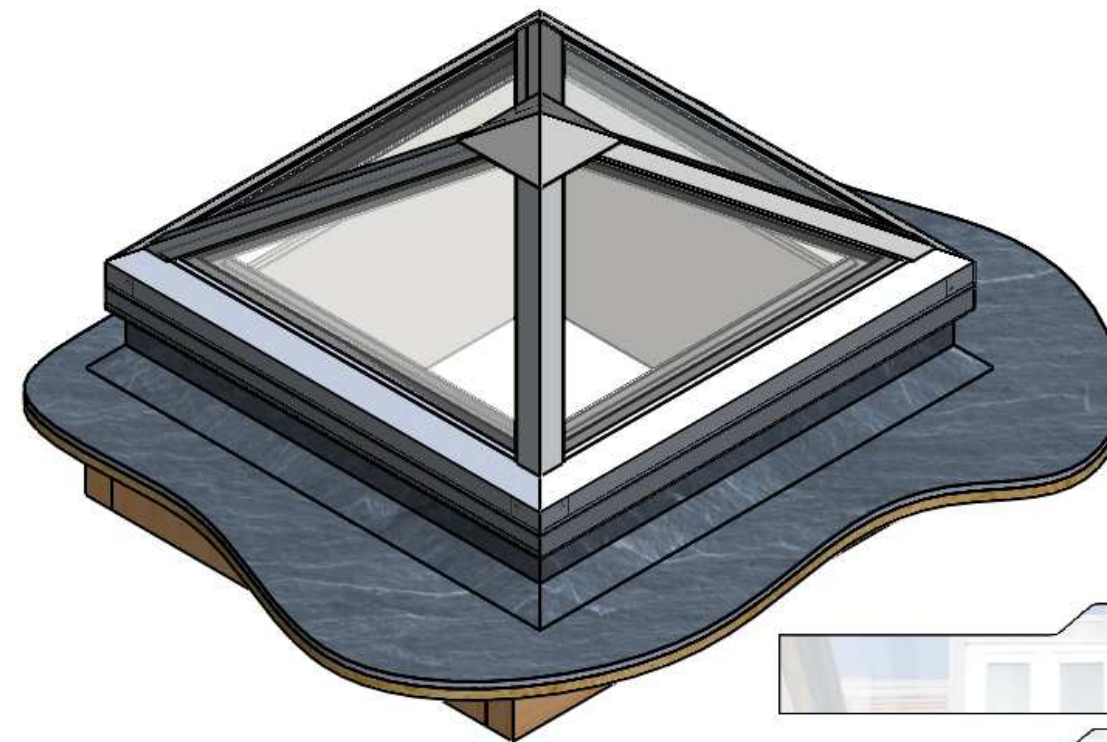
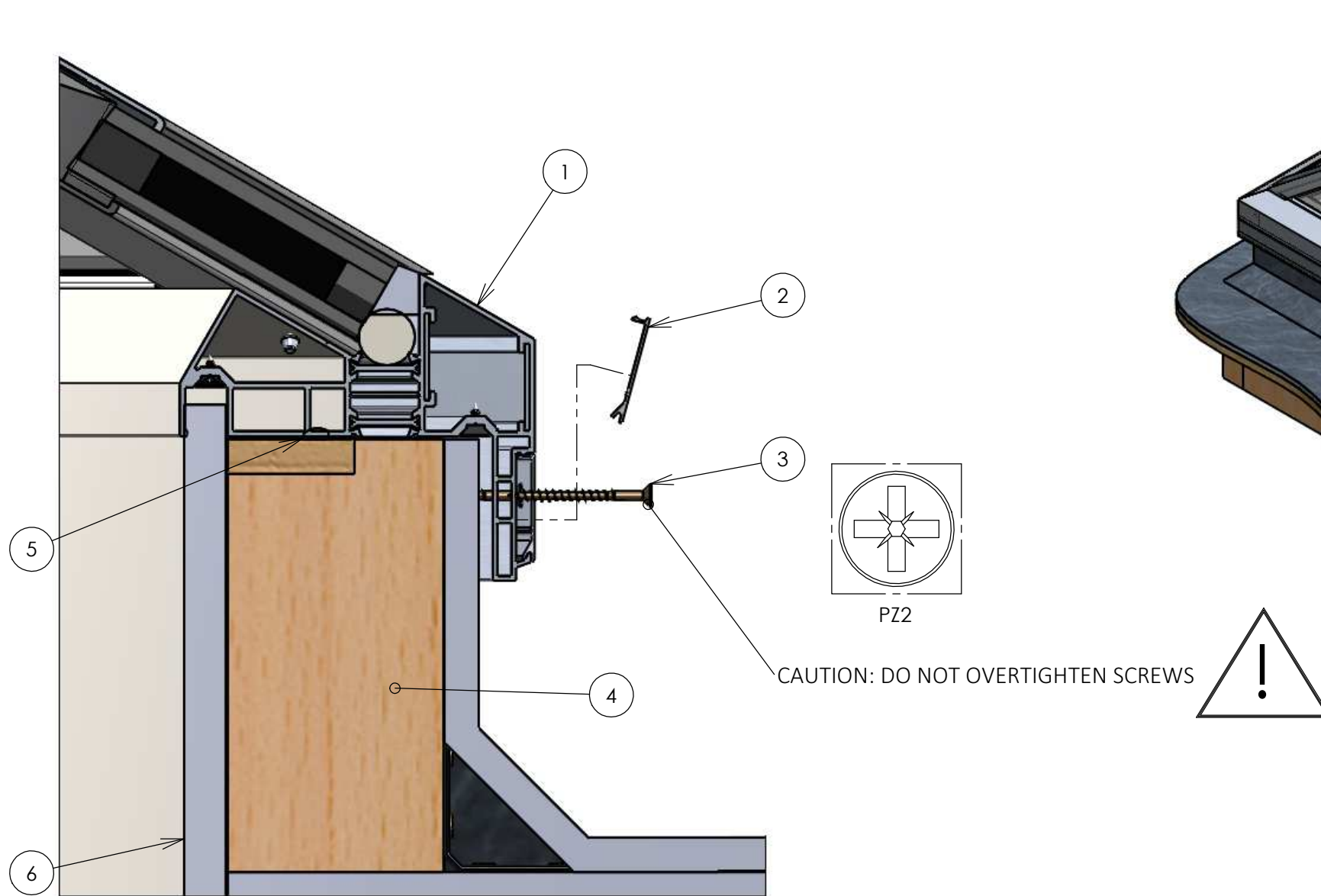
© 2014 This drawing remains the property of Sunsquare Limited and must not be copied or passed to a third party without written permission.

Sunsquare Limited
Unit D1 Drinkstone Investment Park
Kempson Way
Bury St Edmunds
Suffolk IP32 7AR
0845 226 3172



sunsquare.co.uk

| ITEM NO. | DESCRIPTION | QTY. |
|----------|---|------|
| 1 | Pyramid 30 Deg. | 1 |
| 2 | Extruded aluminium 'clip-on' capping profile. | 4 |
| 3 | 8mm bead of neutral curing silicone sealant to perimeter of upstand applied prior to fitting of skylight by Others. | N/A |
| 4 | 4.5x50 Wood Screw | 12 |
| 5 | 75mm fully insulated upstand supplied by Sunsquare Limited. | 4 |
| 6 | 12.7 Plasterboard and Skim by Others. | N/A |
| 7 | Roof membrane by Others. (Max. 12mm thickness) | N/A |



Customer
-

Title
Square Pyramid 30.

Date
08/09/2014

Drawn By
WK

Material
N/A

Project
STD-1501-002 (I)

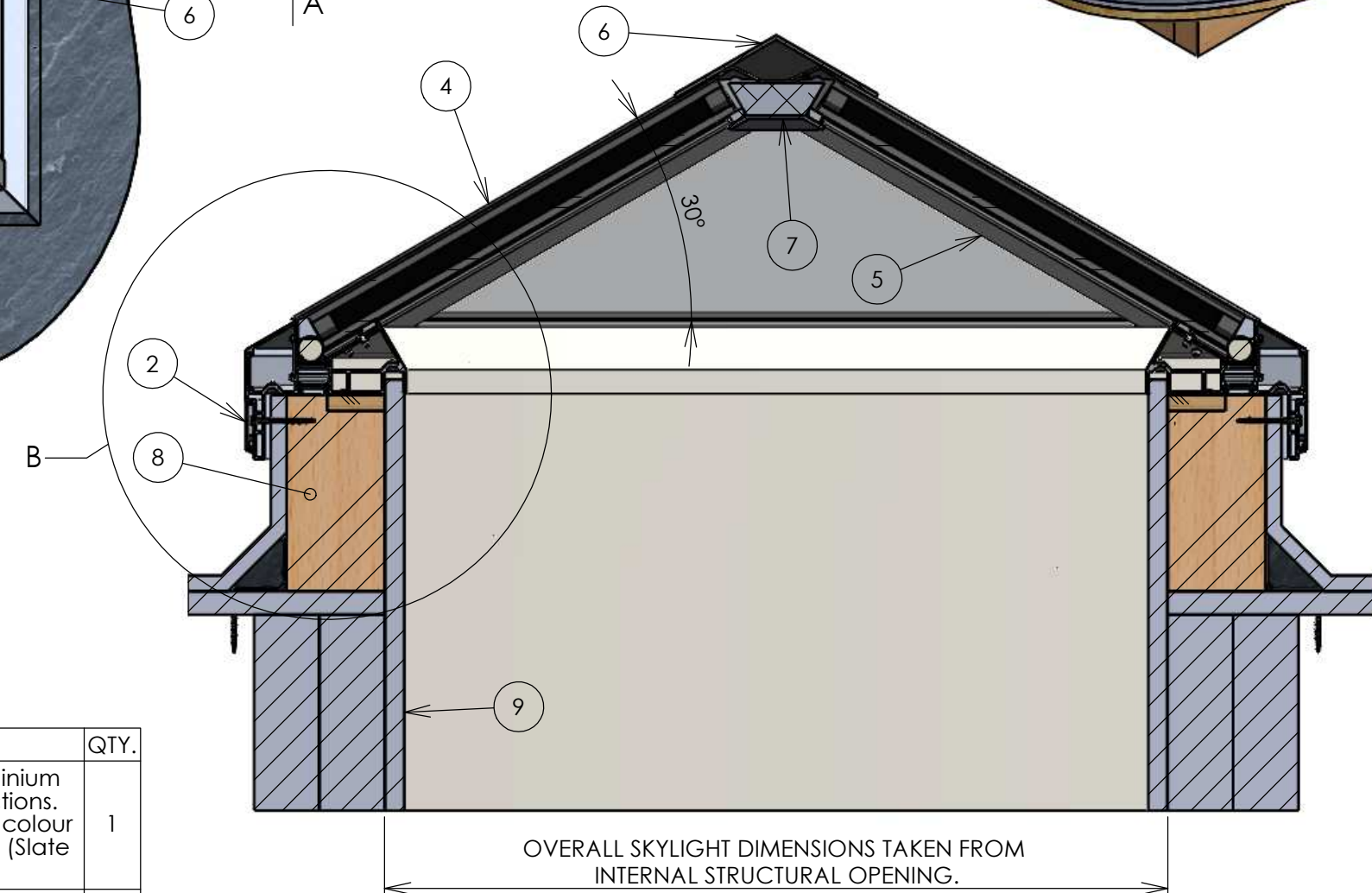
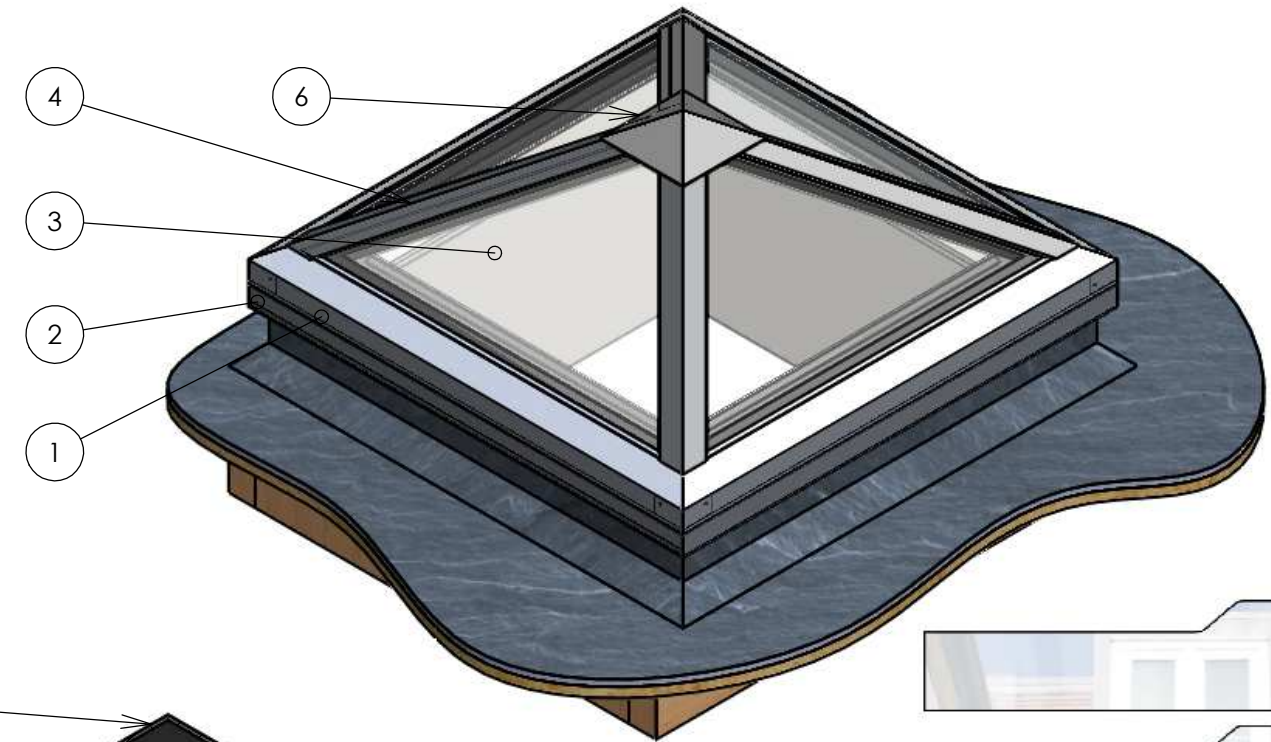
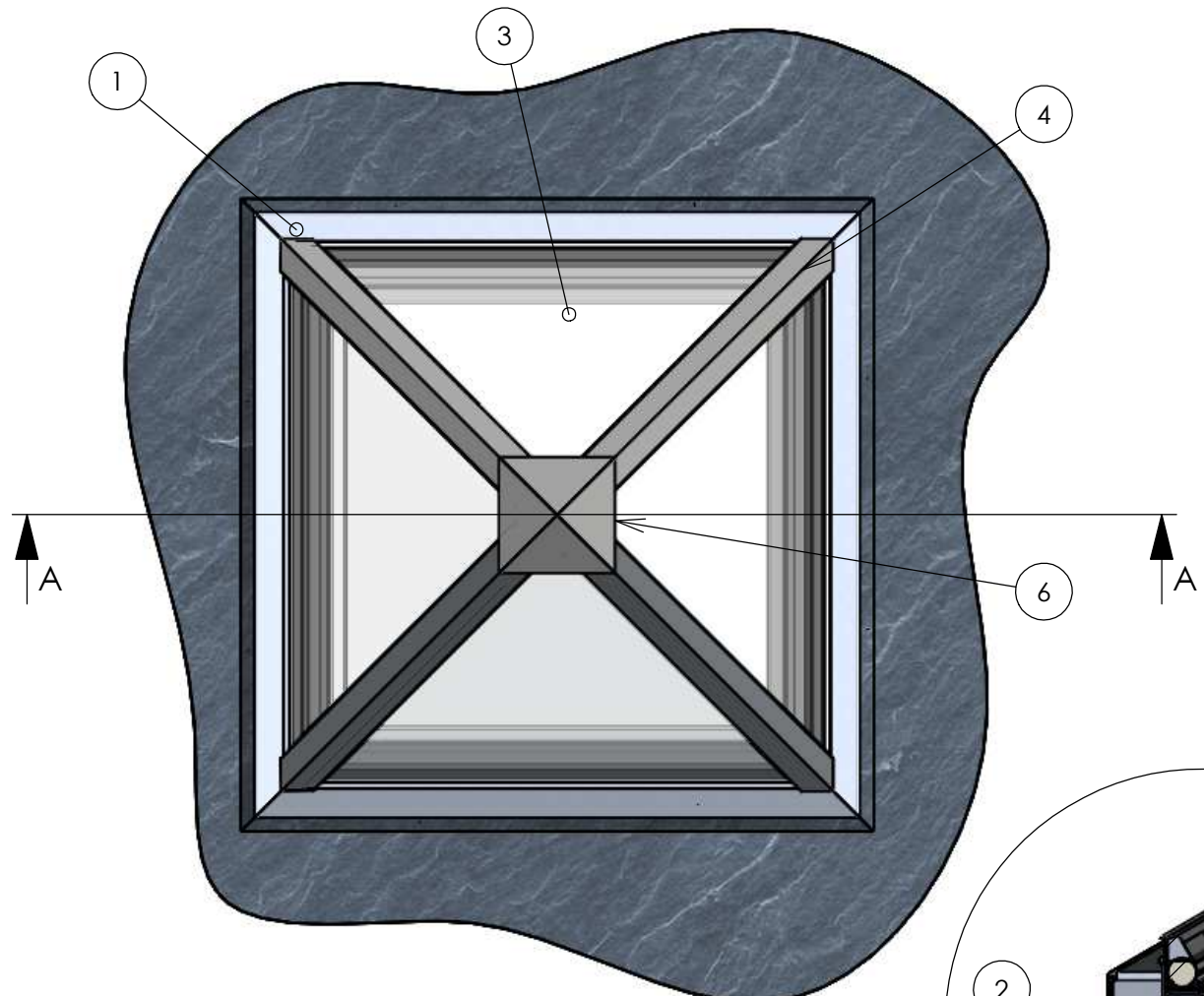
© 2014 This drawing remains the property of Sunsquare Limited and must not be copied or passed to a third party without written permission.

| ITEM NO. | DESCRIPTION | QTY. |
|----------|---|------|
| 1 | Pyramid 30 Deg. | 1 |
| 2 | Extruded aluminium 'clip-on' capping profile. | 4 |
| 3 | 4.5x50 Wood Screw | 12 |
| 4 | 75mm fully insulated upstand supplied by Sunsquare Limited. | 4 |
| 5 | 8mm bead of neutral curing silicone sealant to perimeter of upstand applied prior to fitting of skylight by Others. | N/A |
| 6 | 12.7 Plasterboard and Skim by Others. | N/A |



Sunsquare Limited
Unit D1 Drinkstone Investment Park
Kempson Way
Bury St Edmunds
Suffolk IP32 7AR
0845 226 3172

sunsquare.co.uk



| | |
|----------|--------------------|
| Customer | - |
| Title | Square Pyramid 30. |
| Date | 08/09/2014 |
| Drawn By | WK |
| Material | N/A |
| Project | STD-1501-003 (I) |

© 2014 This drawing remains the property of Sunsquare Limited and must not be copied or passed to a third party without written permission.

| ITEM NO. | DESCRIPTION | QTY. |
|----------|--|------|
| 1 | Factory glazed frame constructed from extruded aluminium profile, thermally broken with polyamide insulation sections. Supplied as standard polyester powder coated to dual colour finish. RAL 9010 (White) to internal section and RAL 7015 (Slate Grey) to external section. | 1 |
| 2 | Extruded aluminium 'clip-on' capping profile. | 4 |
| 3 | 28mm Insulating Glass Unit. | 4 |
| 4 | Extruded aluminium external hip flashing profile. | 4 |
| 5 | Extruded aluminium inner hip flashing profile. | 4 |
| 6 | 3mm aluminium outer glazing cap. | 1 |
| 7 | 3mm aluminium inner glazing cap. | 1 |
| 8 | 75mm fully insulated upstand supplied by Sunsquare Limited. | 4 |
| 9 | 12.7 Plasterboard and Skim by Others. | N/A |

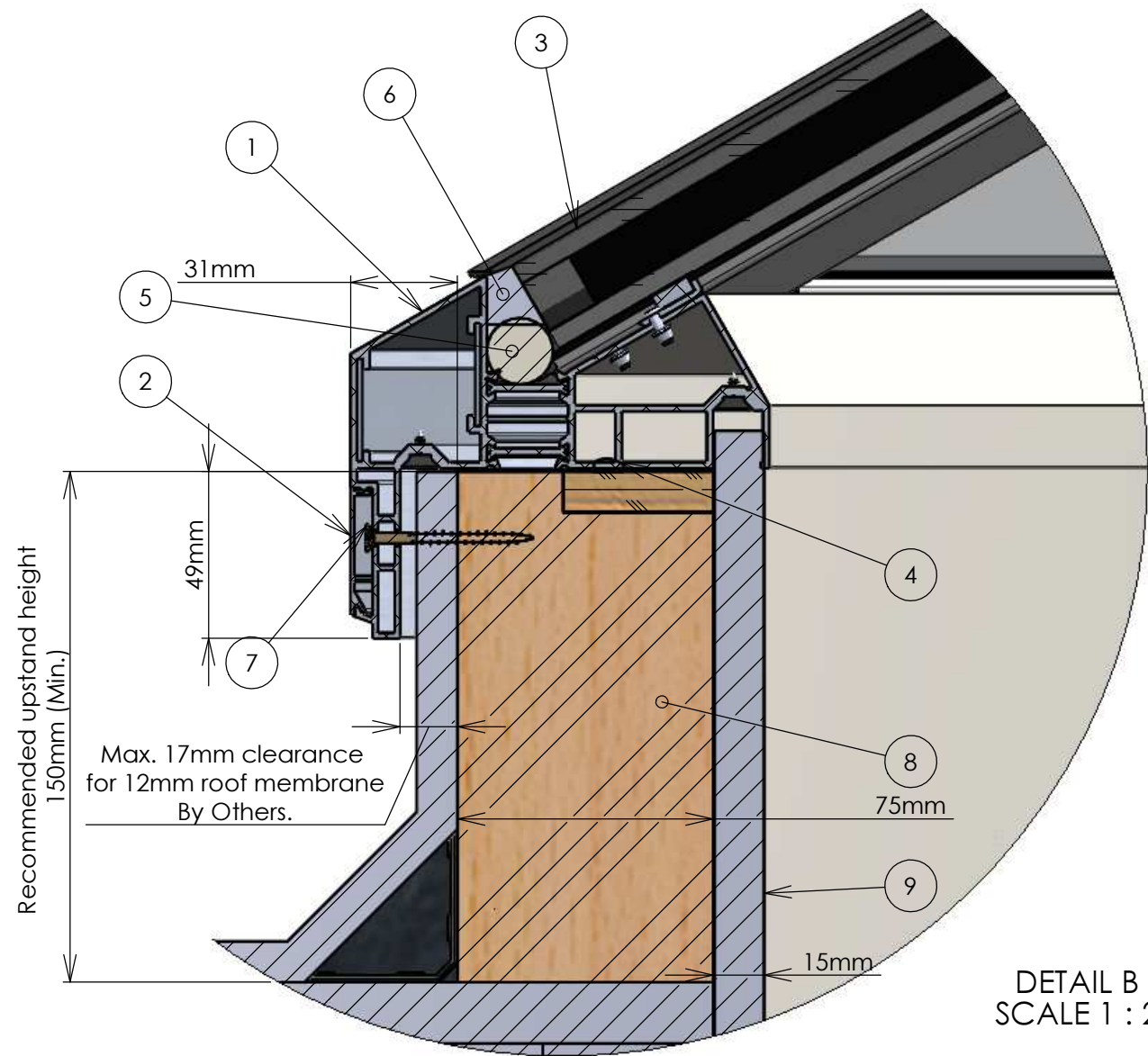
SECTION A-A
SCALE 1 : 5

| ZONE | REV. | DESCRIPTION | DATE | APPROVED |
|-----------|------|-------------|------|----------|
| REVISIONS | | | | |

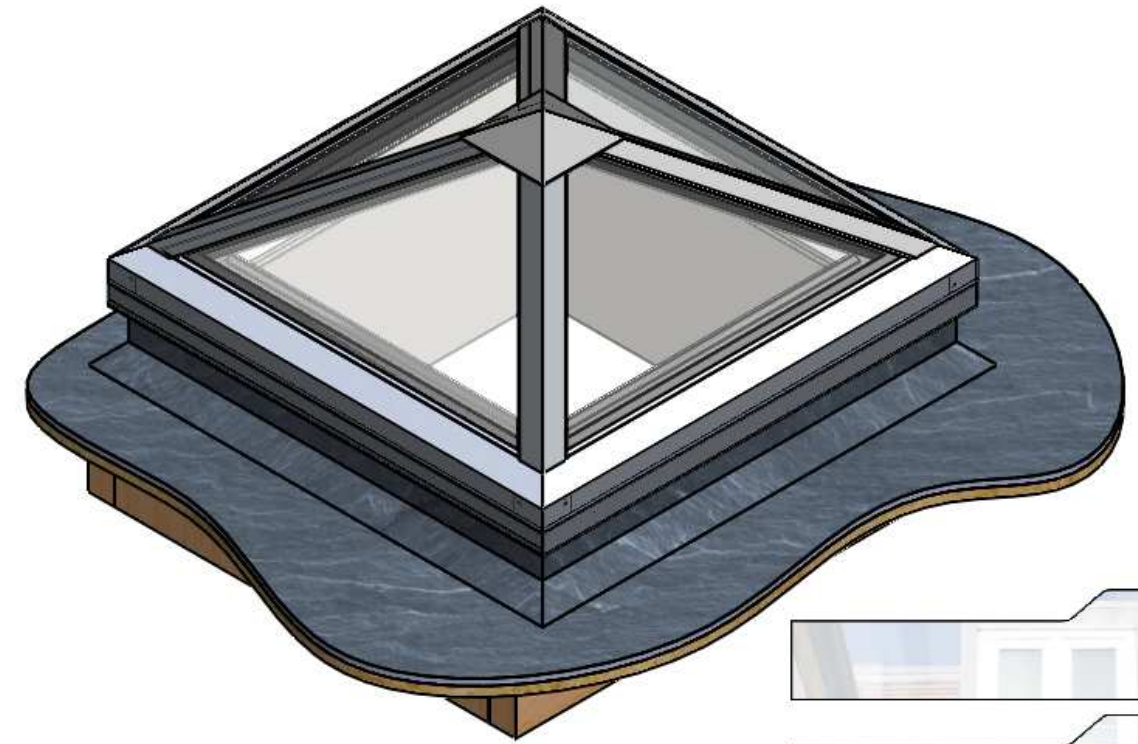
Sunsquare Limited
 Unit D1 Drinkstone Investment Park
 Kempson Way
 Bury St Edmunds
 Suffolk IP32 7AR
 0845 226 3172



sunsquare.co.uk



DETAIL B
SCALE 1 : 2



| | |
|----------|--------------------|
| Customer | - |
| Title | Square Pyramid 30. |
| Date | 08/09/2014 |
| Drawn By | WK |
| Material | N/A |
| Project | STD-1501-004 (I) |

© 2014 This drawing remains the property of Sunsquare Limited and must not be copied or passed to a third party without written permission.

| ITEM NO. | DESCRIPTION | QTY. |
|----------|--|------|
| 1 | Factory glazed frame constructed from extruded aluminium profile, thermally broken with polyamide insulation sections. Supplied as standard polyester powder coated to dual colour finish. RAL 9010 (White) to internal section and RAL 7015 (Slate Grey) to external section. | 1 |
| 2 | Extruded aluminium 'clip-on' capping profile. | 4 |
| 3 | 28mm Insulating Glass Unit. | 4 |
| 4 | 8mm bead of neutral curing silicone sealant to perimeter of upstand applied prior to fitting of skylight by Others. | N/A |
| 5 | 20mm backing rod (Foam). | 1 |
| 6 | High performance silicone weather sealant. | 1 |
| 7 | 4.5x50 Wood Screw | 12 |
| 8 | 75mm fully insulated upstand supplied by Sunsquare Limited. | 4 |
| 9 | 12.7 Plasterboard and Skim by Others. | N/A |



Sunsquare Limited
Unit D1 Drinkstone Investment Park
Kempson Way
Bury St Edmunds
Suffolk IP32 7AR
0845 226 3172

sunsquare.co.uk