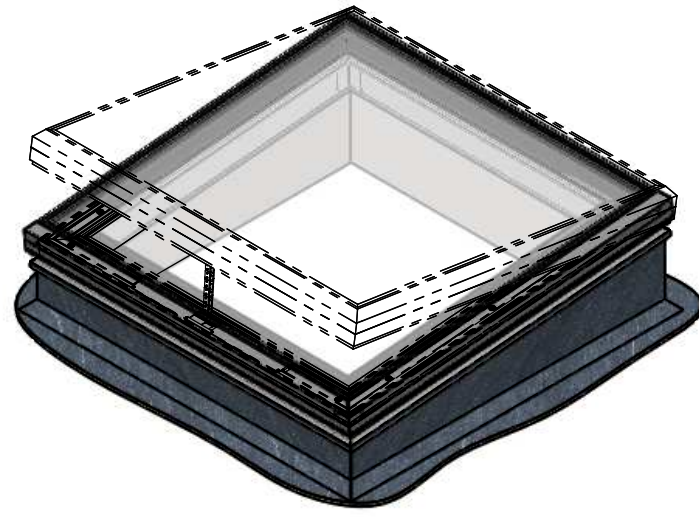
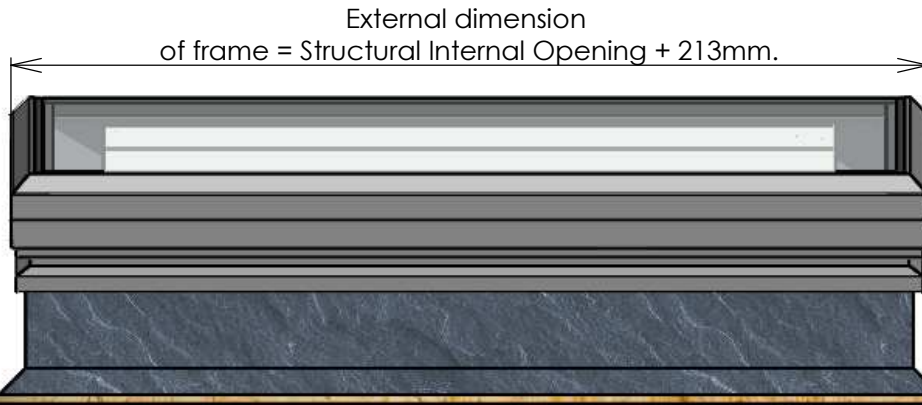
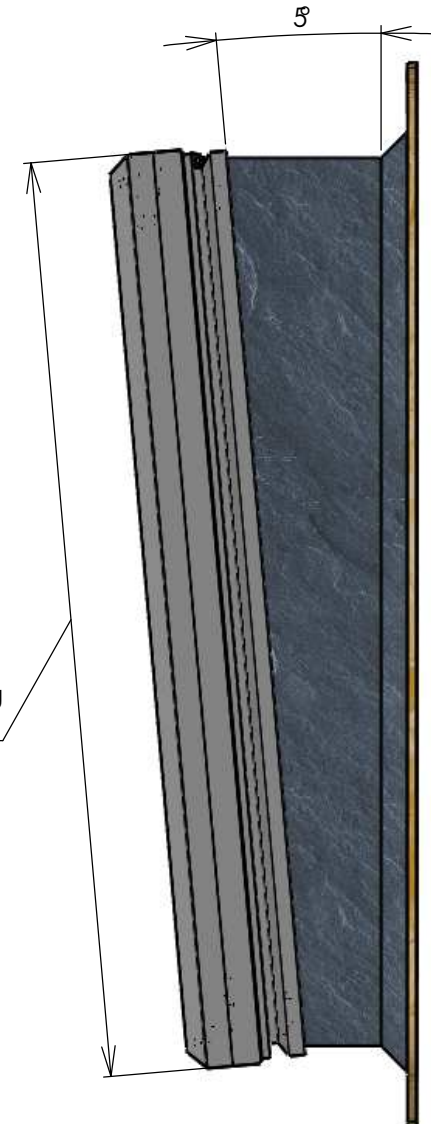


External dimension of frame = Structural Internal Opening + 213mm.



Customer -

Title Aero electric vent 24V DC.

Date 02/06/2015

Drawn By WK

Material

Project STD-1701-001 (I)

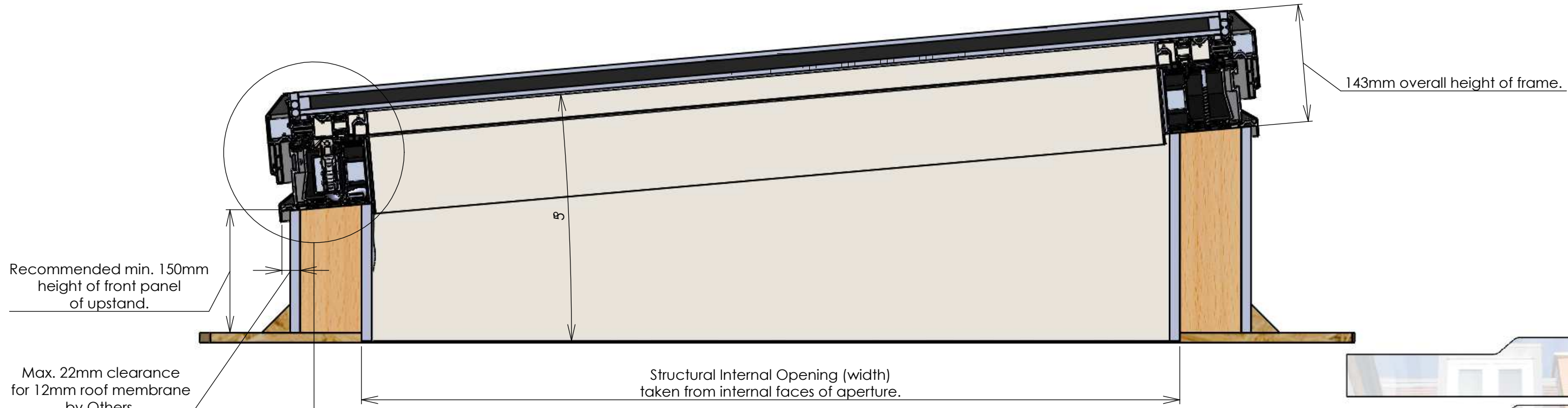
© 2014 This drawing remains the property of Sunsquare Limited and must not be copied or passed to a third party without written permission.

Sunsquare Limited  
 Unit D1 Drinkstone Investment Park  
 Kempson Way  
 Bury St Edmunds  
 Suffolk IP32 7AR  
 0845 226 3172

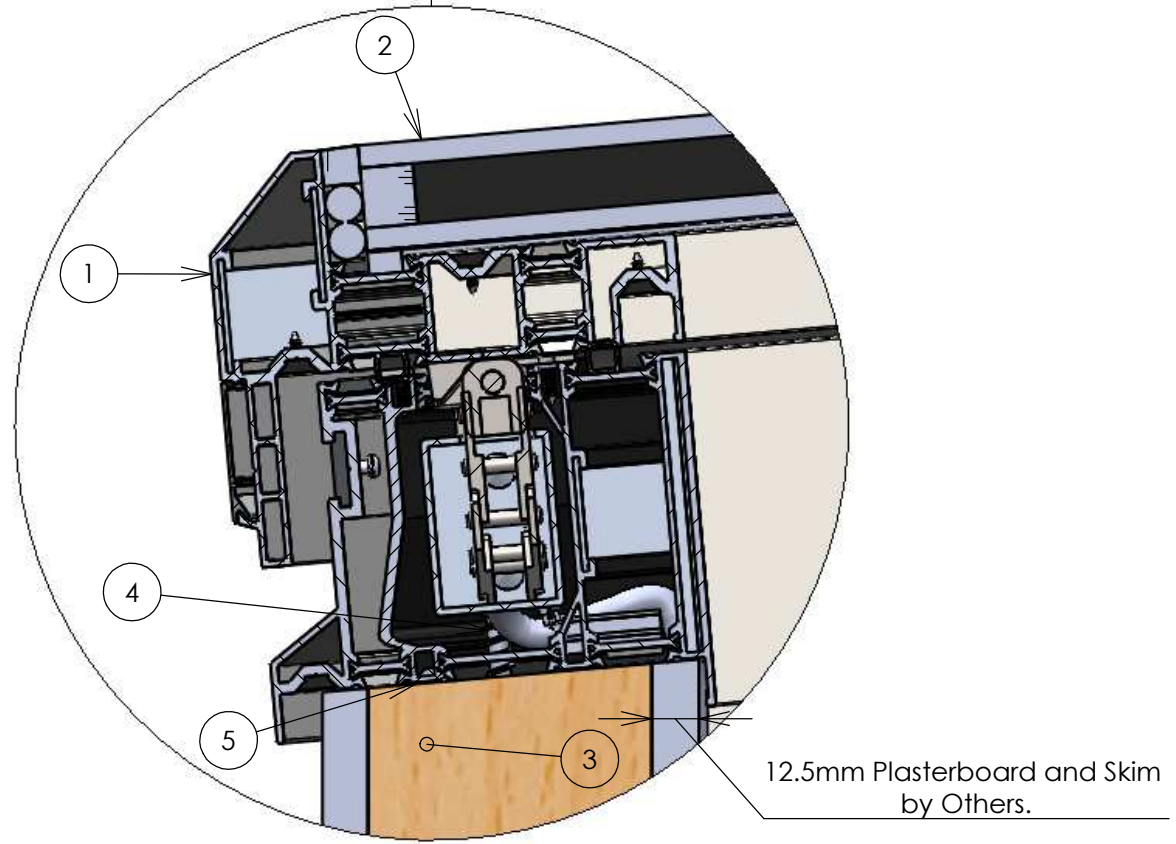


sunsquare.co.uk

ZONE	REV.	DESCRIPTION	DATE	APPROVED
REVISIONS				



SECTION A-A



Customer	-
Title	Aero electric vent 24V DC.
Date	02/06/2015
Drawn By	WK
Material	N/A
Project	STD-1701-002 (I)

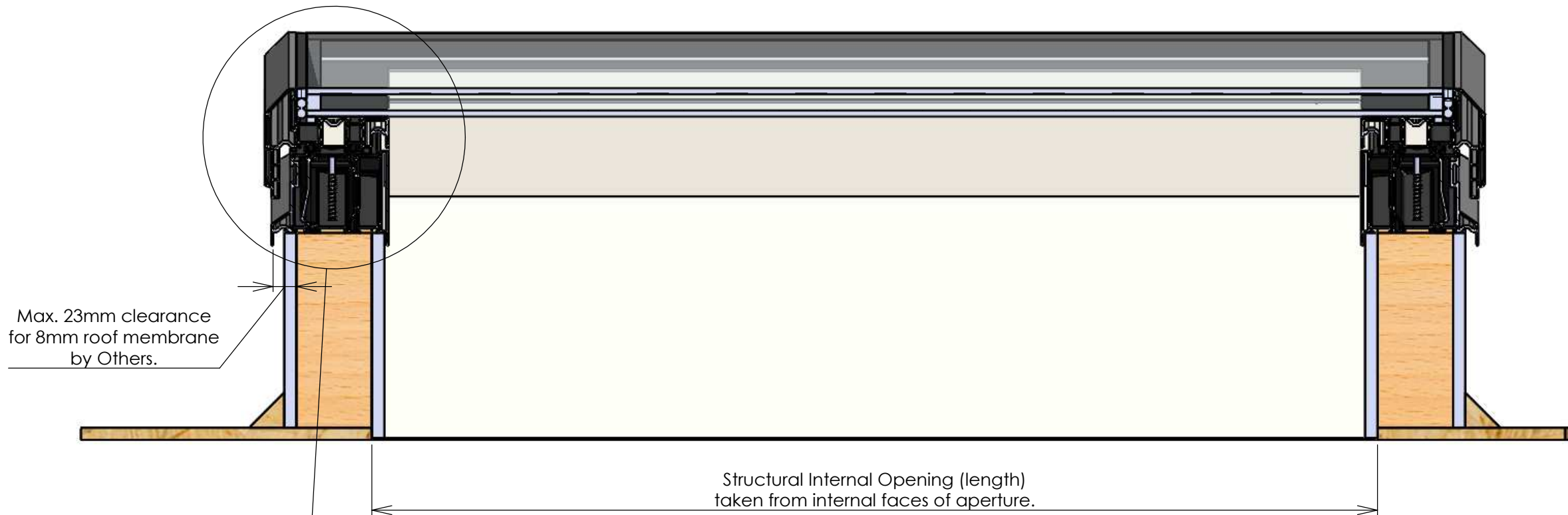
© 2014 This drawing remains the property of Sunsquare Limited and must not be copied or passed to a third party without written permission.

ITEM NO.	DESCRIPTION	QTY.
1	Aero vent frame.	1
2	28mm Insulated Glass Unit.	1
3	75mm fully insulated upstand supplied by Sunsquare Ltd.	1
4	M8x120 coach screws with torx screwdriver bit T40 supplied by Sunsquare Ltd.	10
5	8mm bead of neutral curing silicone sealant to perimeter of upstand applied prior to fitting of skylight by Others.	N/A

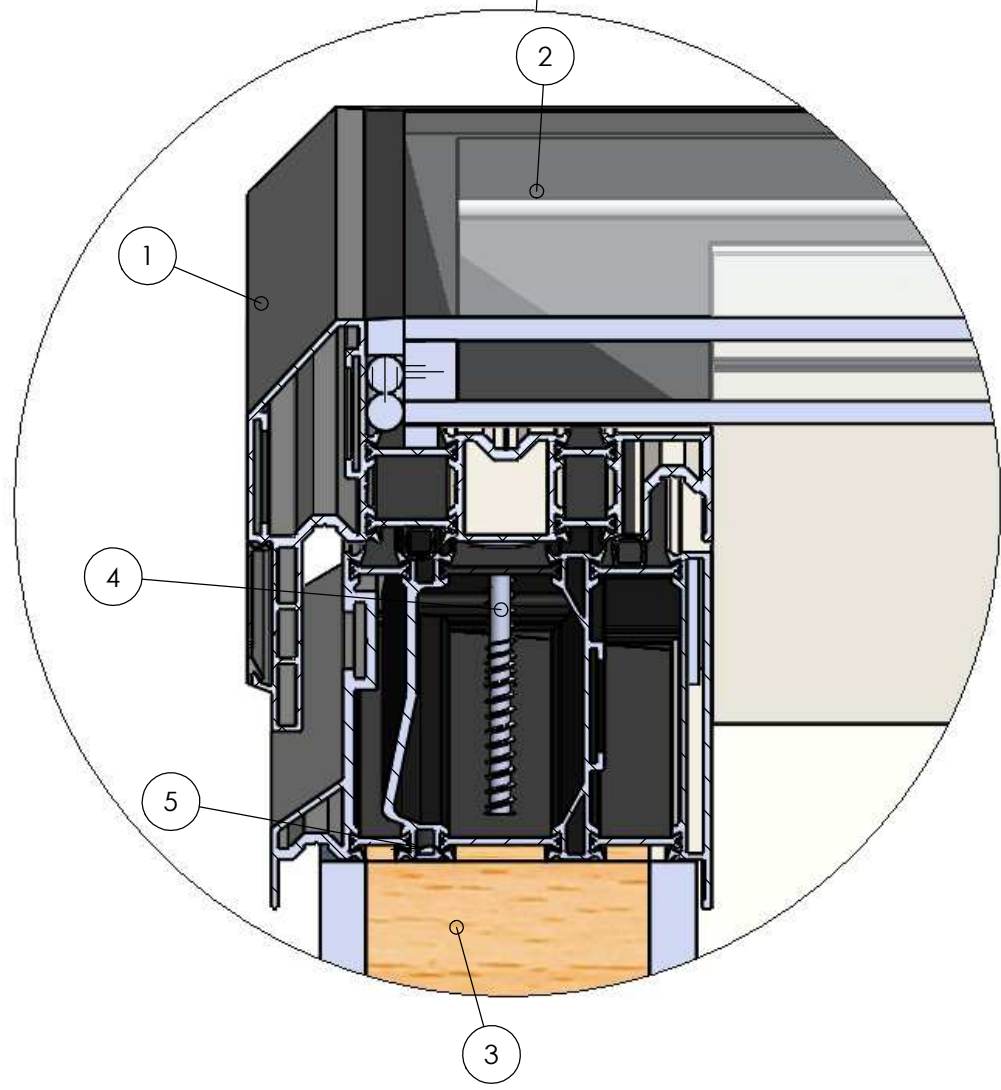
Sunsquare Limited  
 Unit D1 Drinkstone Investment Park  
 Kempson Way  
 Bury St Edmunds  
 Suffolk IP32 7AR  
 0845 226 3172



sunsquare.co.uk



SECTION B-B



ITEM NO.	DESCRIPTION	QTY.
1	Aero vent frame.	1
2	28mm Insulated Glass Unit.	1
3	75mm fully insulated upstand supplied by Sunsquare Ltd.	1
4	M8x120 coach screws with torx screwdriver bit T40 supplied by Sunsquare Ltd.	10
5	8mm bead of neutral curing silicone sealant to perimeter of upstand applied prior to fitting of skylight by Others.	N/A

Customer: -

Title: Aero electric vent 24V DC.

Date: 02/06/2015

Drawn By: WK

Material: N/A

Project: STD-1701-003 (I)

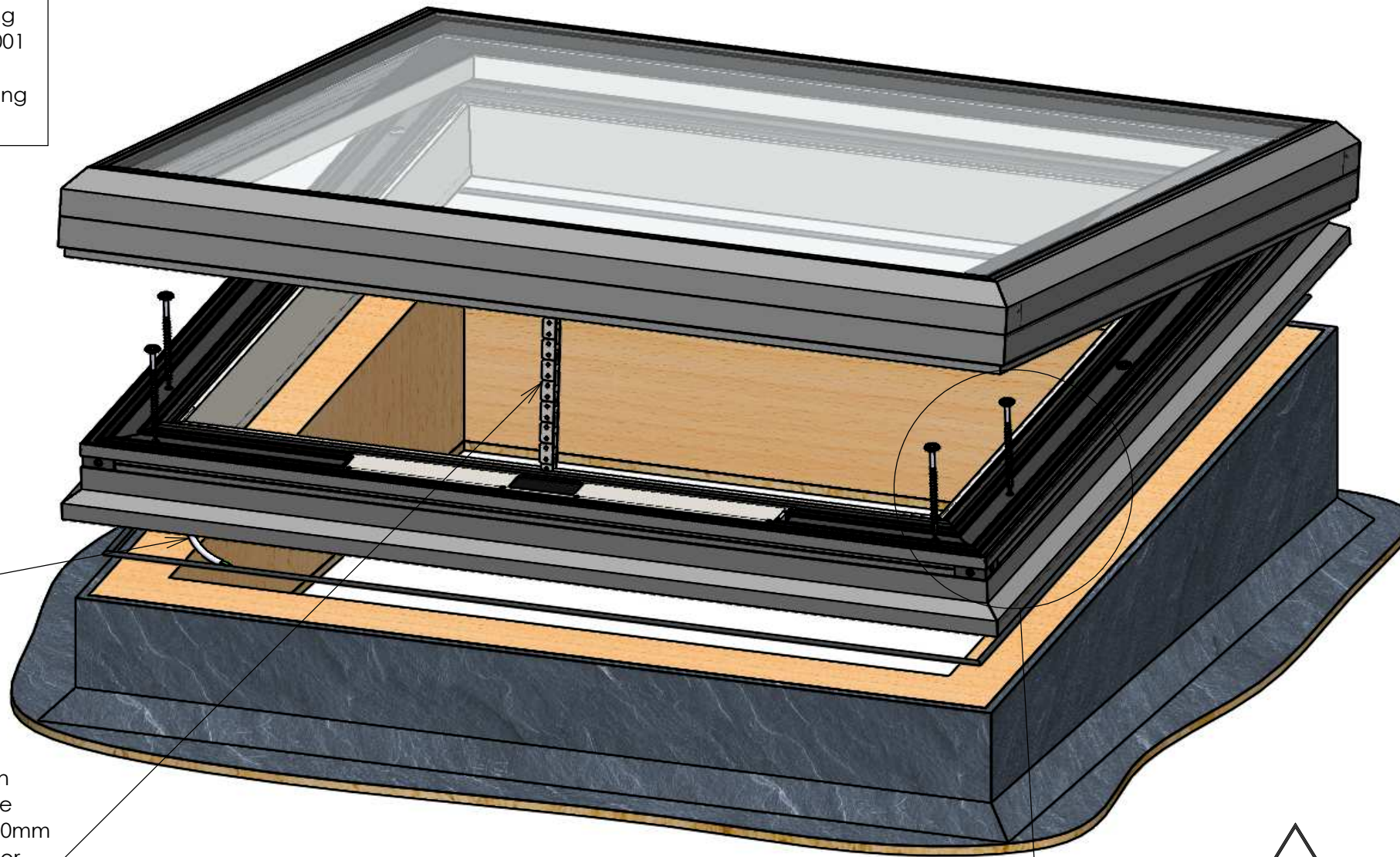
© 2014 This drawing remains the property of Sunsquare Limited and must not be copied or passed to a third party without written permission.

Sunsquare Limited  
 Unit D1 Drinkstone Investment Park  
 Kempson Way  
 Bury St Edmunds  
 Suffolk IP32 7AR  
 0845 226 3172



sunsquare.co.uk

NOTE:  
Power the skylight (24V DC actuators) to the open position by following the wiring diagram (WiringVisualization-WUC102-001 (I) or 002 (I)). Wiring diagram supplied with skylight. This can be temporary wiring for fixing purposes.



NOTE:  
Power cable exits through Decor-stop detail at this location for one or multiple synchronized actuators.

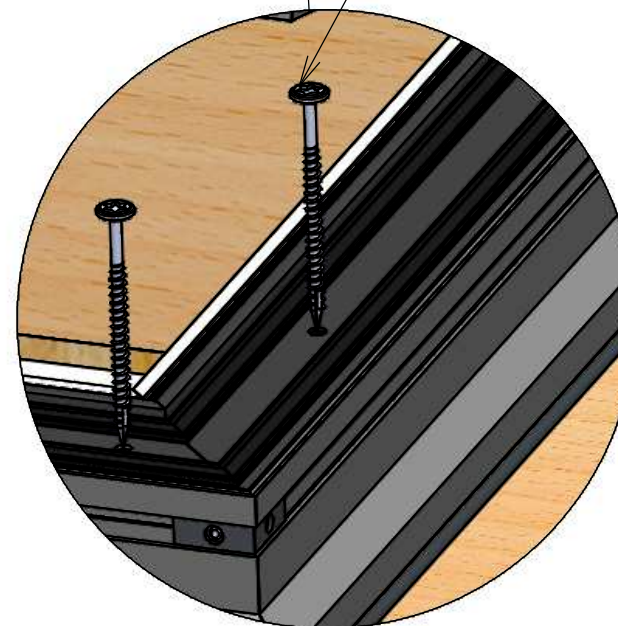
NOTE:  
24V DC chain actuator completely concealed within base frame when in closed position. For large units multiple synchronized actuators. 150mm to 300mm of overall movement of chain actuator.



CAUTION: DO NOT OVERTIGHTEN SCREWS.



NOTE:  
Disconnect the actuator chain from top bracket by disengaging the spring clip and remove steel pin, this will allow the chain to be pulled free from the top bracket.



Customer  
-

Title  
Aero electric vent 24V DC.

Date  
02/06/2015

Drawn By  
WK

Material  
N/A

Project  
STD-1701-004 (I)

© 2014 This drawing remains the property of Sunsquare Limited and must not be copied or passed to a third party without written permission.

Sunsquare Limited  
Unit D1 Drinkstone Investment Park  
Kempson Way  
Bury St Edmunds  
Suffolk IP32 7AR  
0845 226 3172



sunsquare.co.uk