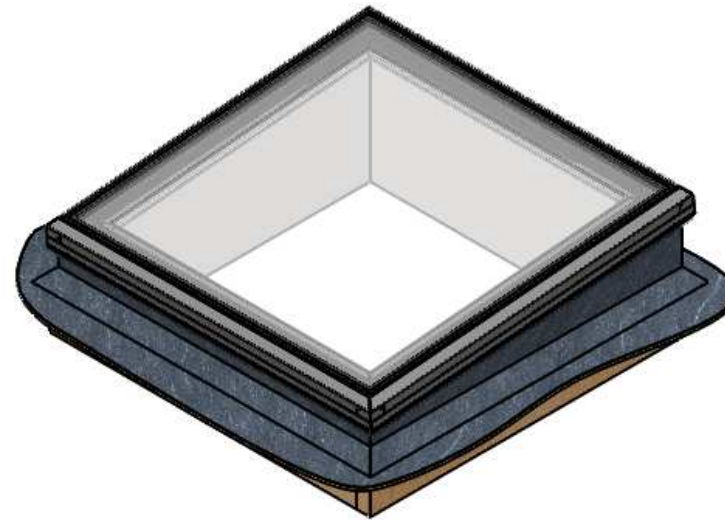
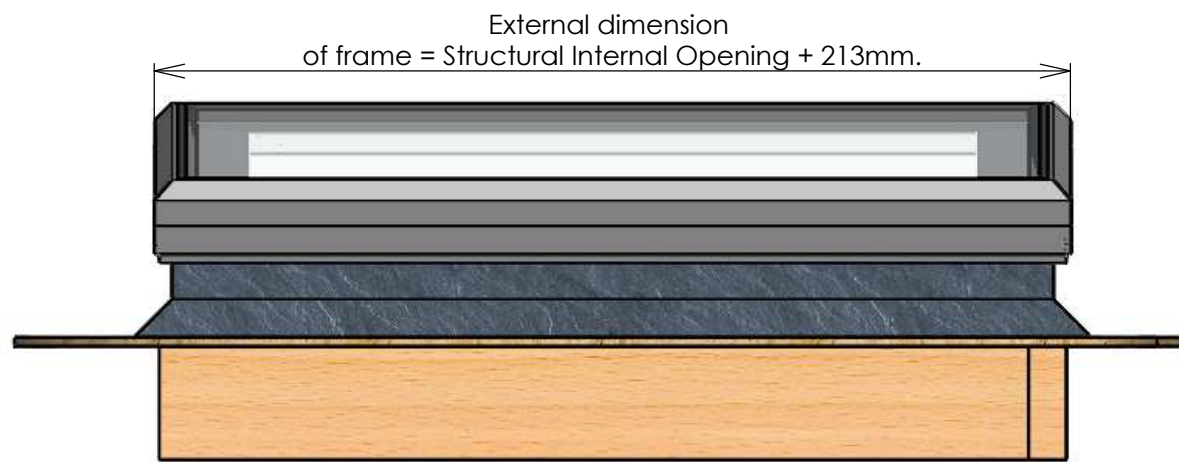
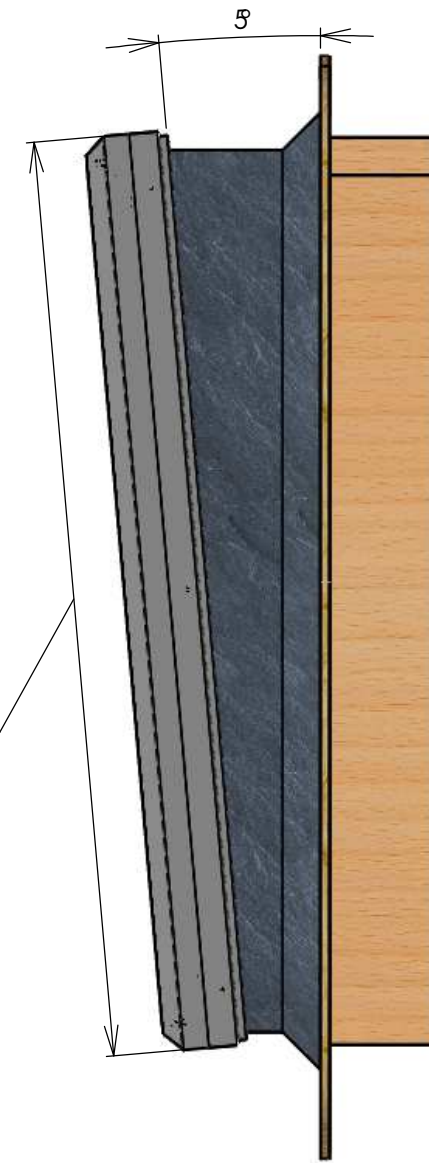


External dimension  
of frame =  
Structural Internal Opening  
+ 213mm.



Customer  
-

Title  
Skyview.

Date  
02/06/2015

Drawn By  
WK

Material

Project  
STD-1601-001 (I)

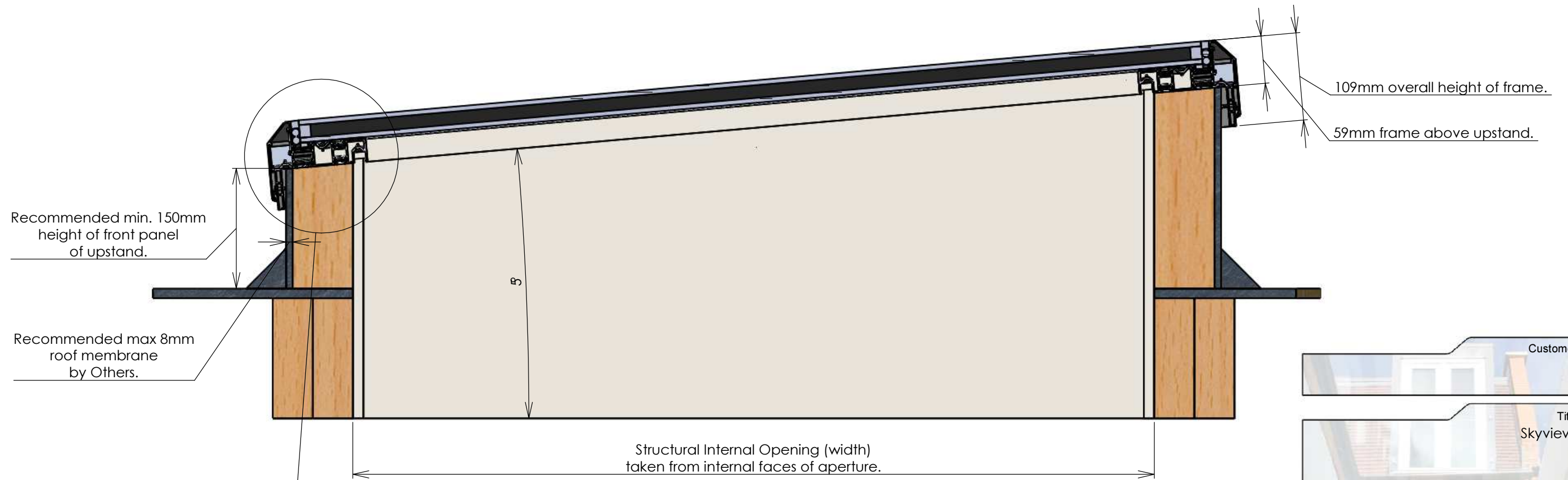
© 2014 This drawing remains the property of  
Sunsquare Limited and must not be copied or  
passed to a third party without written permission.

Sunsquare Limited  
Unit D1 Drinkstone Investment Park  
Kempson Way  
Bury St Edmunds  
Suffolk IP32 7AR  
0845 226 3172

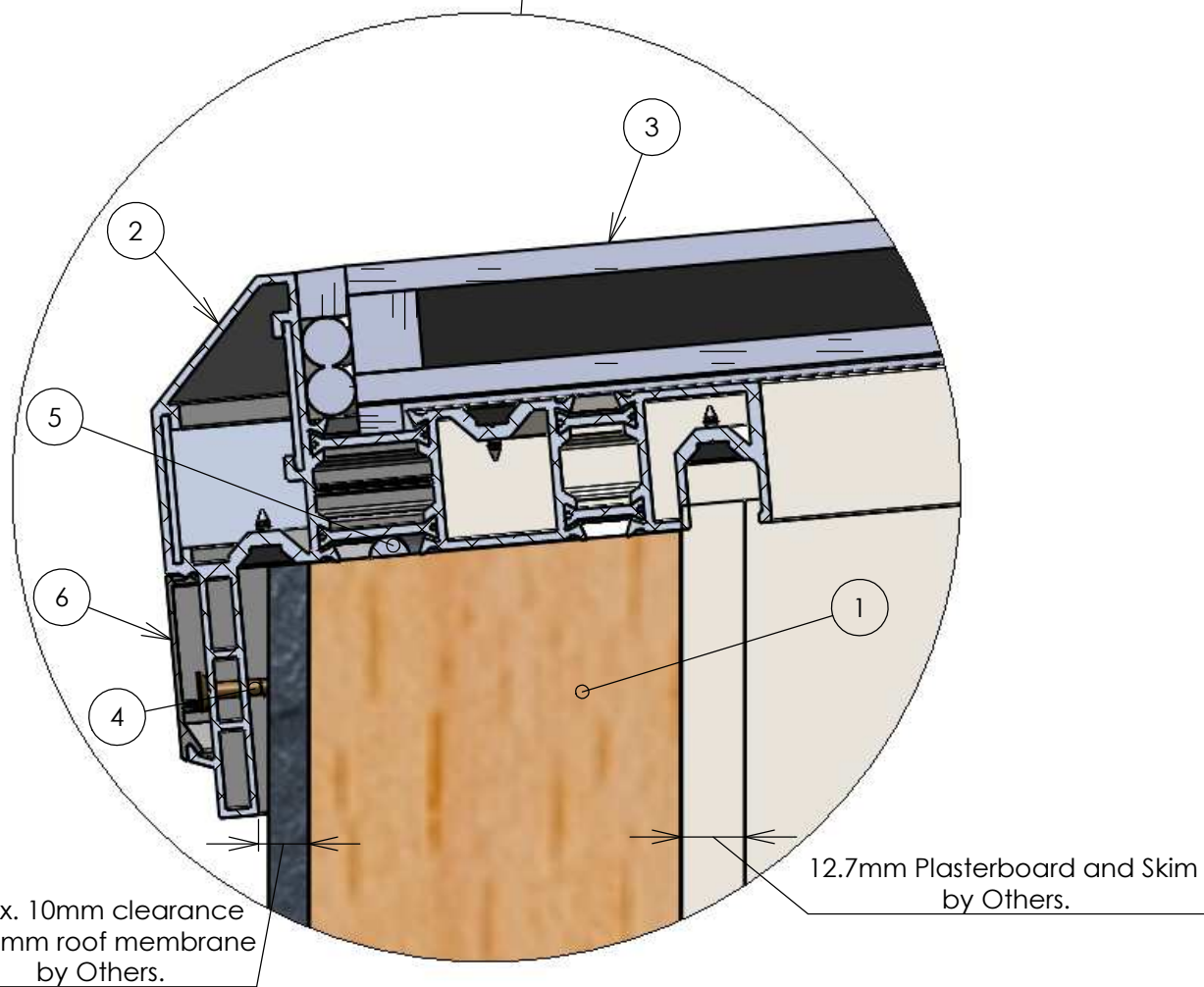


sunsquare.co.uk

ZONE	REV.	DESCRIPTION	DATE	APPROVED
REVISIONS				



SECTION A-A



Customer  
-

Title  
Skyview.

Date  
02/06/2015

Drawn By  
WK

Material  
N/A

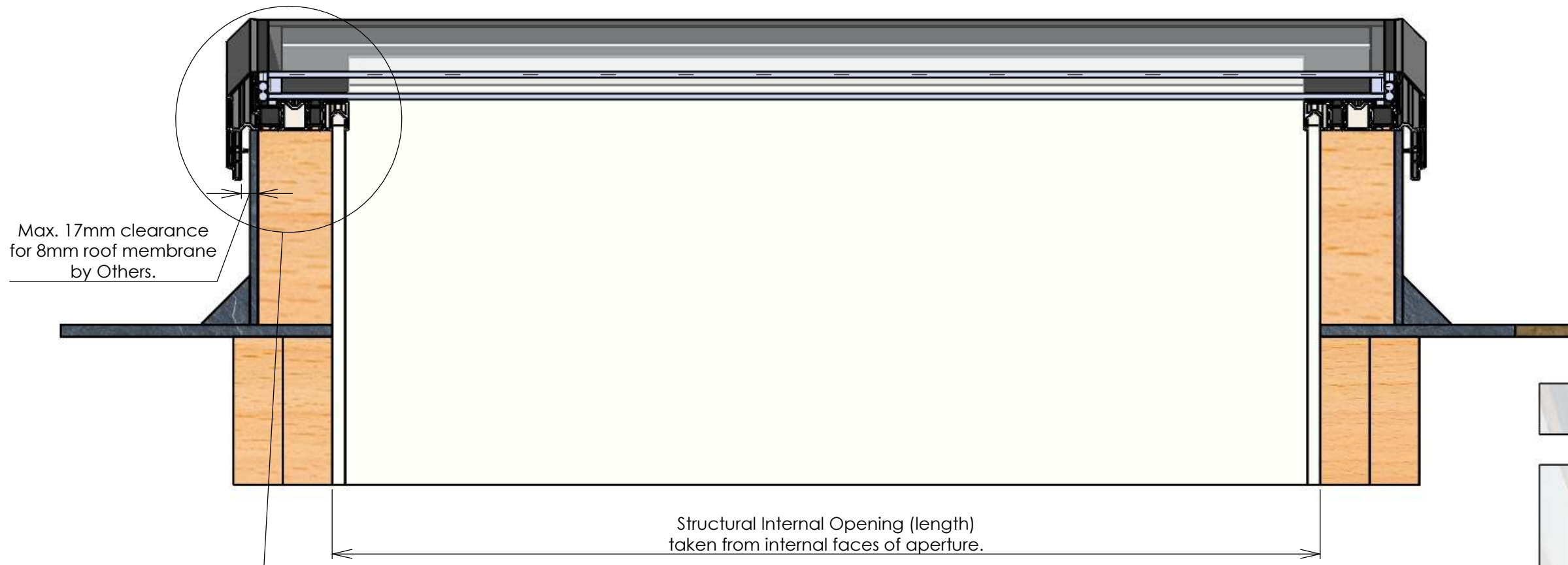
Project  
STD-1601-002 (I)

© 2014 This drawing remains the property of Sunsquare Limited and must not be copied or passed to a third party without written permission.

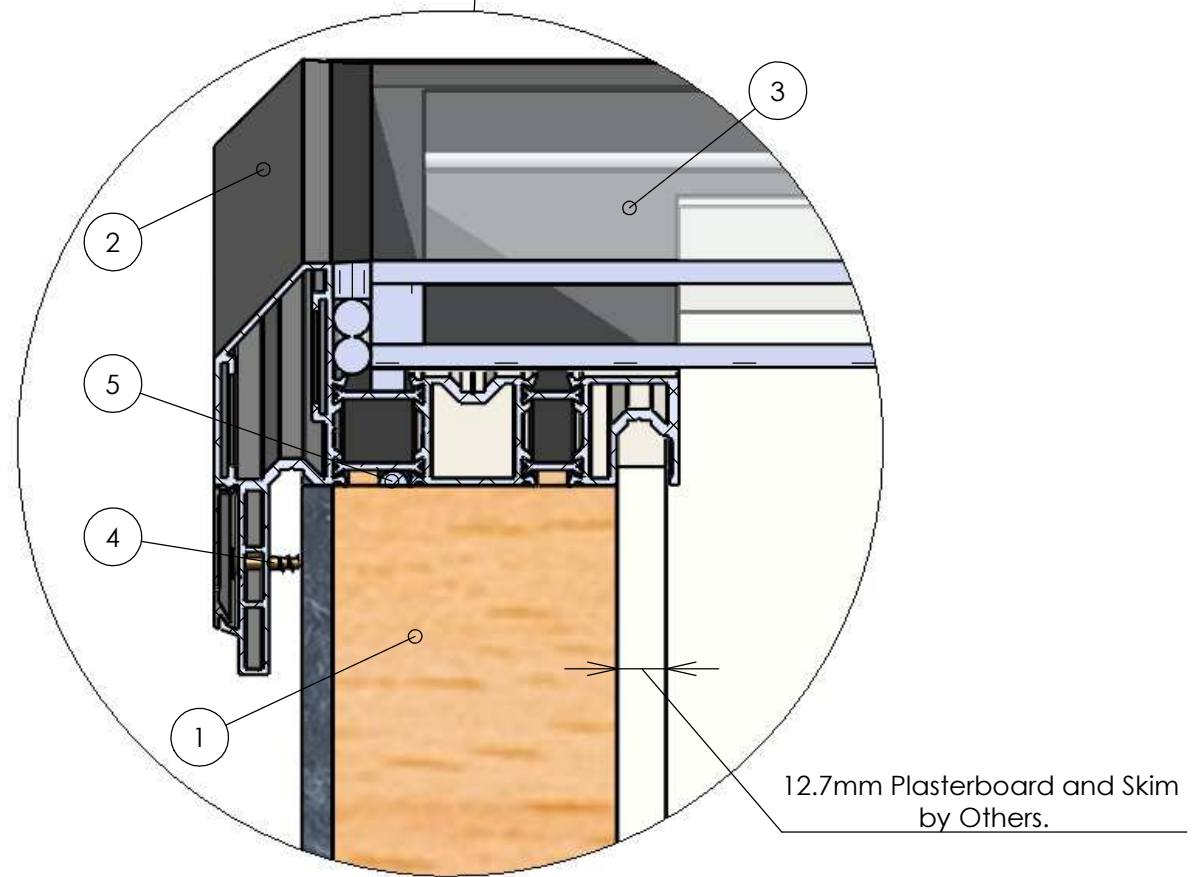
ITEM NO.	DESCRIPTION	QTY.
1	75mm fully insulated upstand supplied by Sunsquare Ltd.	1
2	Skyview frame.	1
3	28mm Insulated Glass Unit.	1
4	4.5x50 Wood Screw.	12
5	8mm bead of neutral curing silicone sealant to perimeter of upstand applied prior to fitting of skylight by Others.	N/A
6	Skyview capping.	4

Sunsquare Limited  
Unit D1 Drinkstone Investment Park  
Kempson Way  
Bury St Edmunds  
Suffolk IP32 7AR  
0845 226 3172

sunsquare.co.uk



SECTION B-B



Customer  
-

Title  
Skyview.

Date  
02/06/2015

Drawn By  
WK

Material  
N/A

Project  
STD-1601-003 (I)

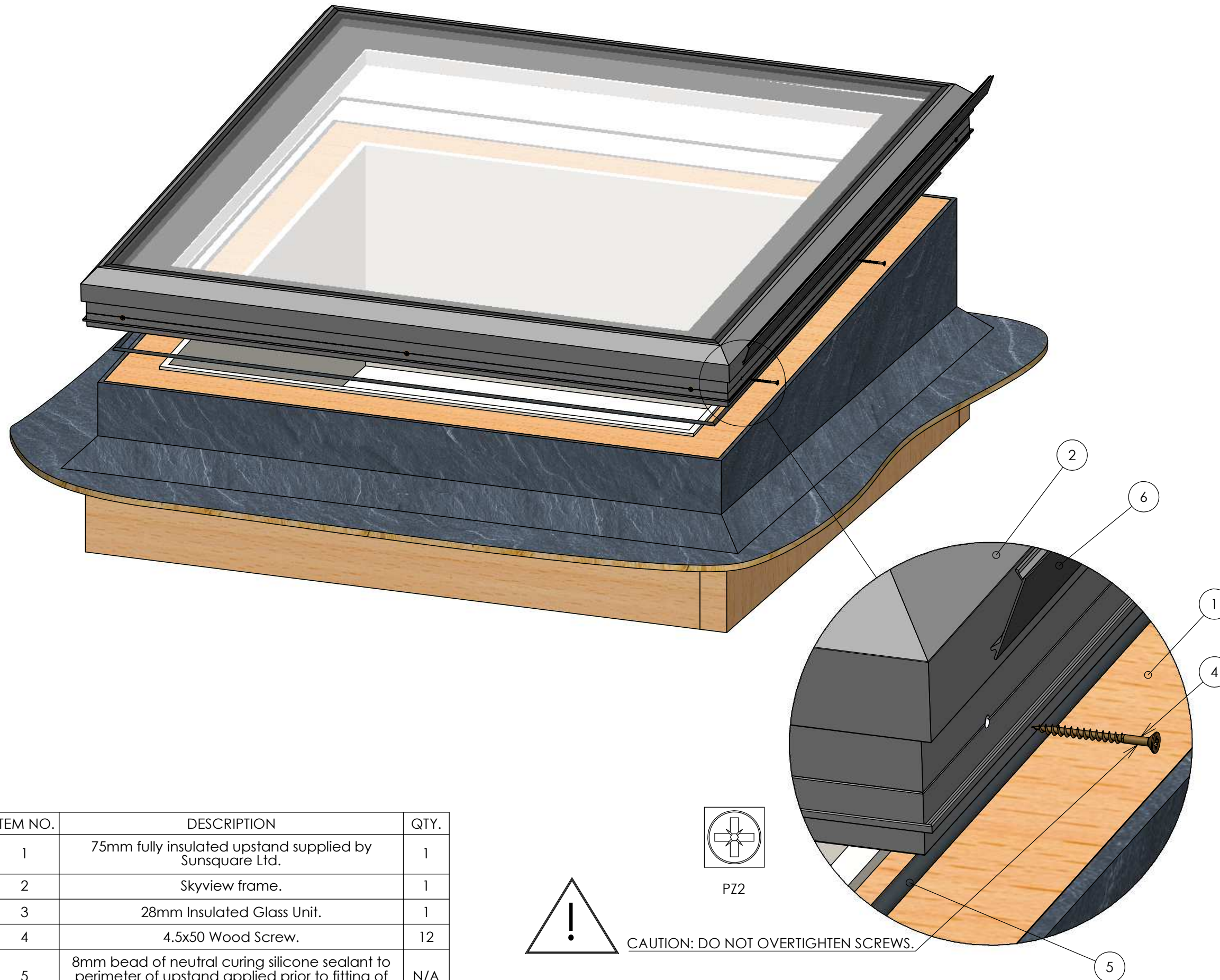
© 2014 This drawing remains the property of Sunsquare Limited and must not be copied or passed to a third party without written permission.

ITEM NO.	DESCRIPTION	QTY.
1	75mm fully insulated upstand supplied by Sunsquare Ltd.	1
2	Skyview frame.	1
3	28mm Insulated Glass Unit.	1
4	4.5x50 Wood Screw.	12
5	8mm bead of neutral curing silicone sealant to perimeter of upstand applied prior to fitting of skylight by Others.	N/A
6	Skyview capping.	4

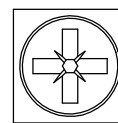
Sunsquare Limited  
Unit D1 Drinkstone Investment Park  
Kempson Way  
Bury St Edmunds  
Suffolk IP32 7AR  
0845 226 3172



sunsquare.co.uk



ITEM NO.	DESCRIPTION	QTY.
1	75mm fully insulated upstand supplied by Sunsquare Ltd.	1
2	Skyview frame.	1
3	28mm Insulated Glass Unit.	1
4	4.5x50 Wood Screw.	12
5	8mm bead of neutral curing silicone sealant to perimeter of upstand applied prior to fitting of skylight by Others.	N/A
6	Skyview capping.	4



PZ2



CAUTION: DO NOT OVERTIGHTEN SCREWS.

Customer	-
Title	Skyview.
Date	02/06/2015
Drawn By	WK
Material	N/A
Project	STD-1601-004 (I)

© 2014 This drawing remains the property of Sunsquare Limited and must not be copied or passed to a third party without written permission.

Sunsquare Limited  
 Unit D1 Drinkstone Investment Park  
 Kempson Way  
 Bury St Edmunds  
 Suffolk IP32 7AR  
 0845 226 3172



sunsquare.co.uk