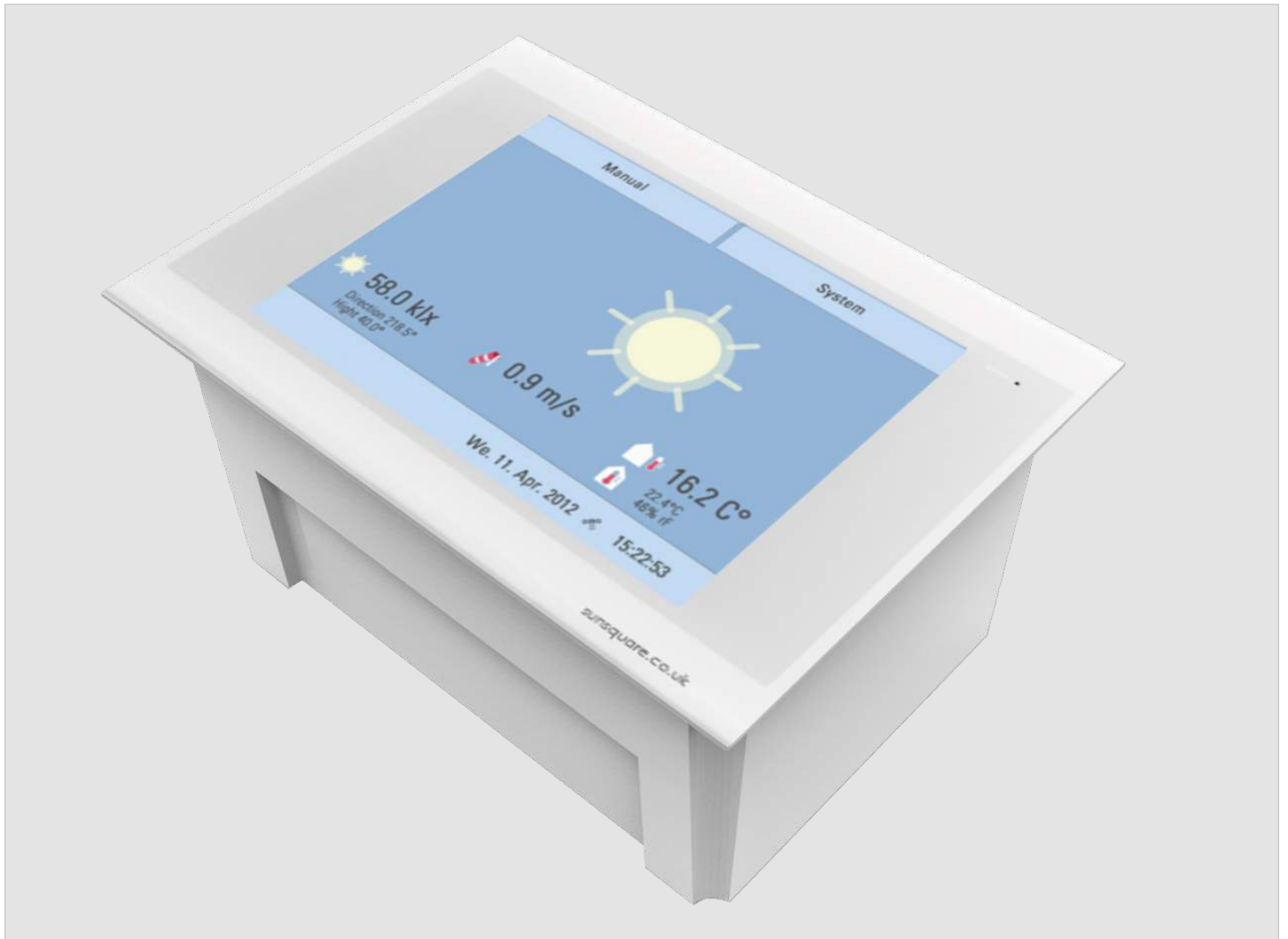




Touchscreen Programmable Controller

Fully automated skylight controller with touchscreen interface



Product Description

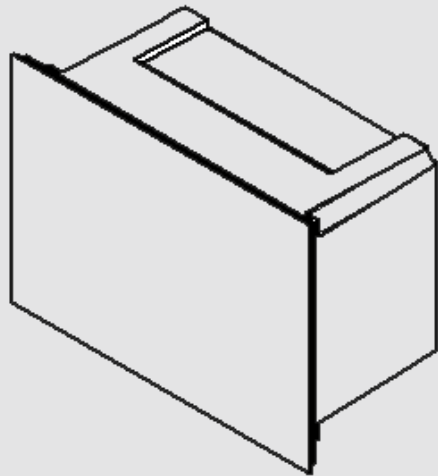
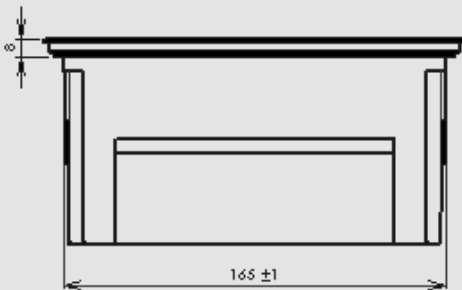
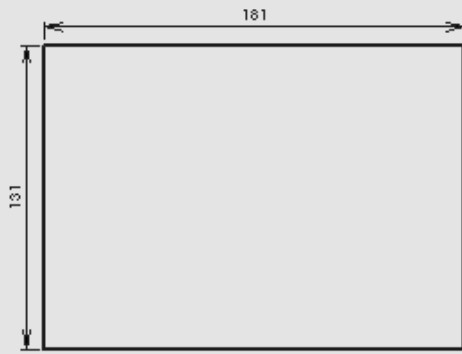
The Sunsquare Touchscreen Programmable Controller has been developed to allow for the full control of your skylight/s based on infinitely definable parameters. Flush mounted to an internal wall, the intuitive programming can be set to exactly suit your lifestyle, along with integrating with environment around you.

The colour screen displays the following environmental parameters :

- Outdoor & Indoor Temperatures
- Indoor Air Humidity
- Light Levels (Incl. Intensity and Direction with Twilight Recognition)
- Wind Speed
- Rain
- Time / Date

The controller is constantly monitoring environmental conditions and will execute your programmed reaction to these without any further input. Of course, should you decide you want to take back control, simple open and close icons allow you to override the automated functions.

Dimensions :



Programmable Functions :

- Opening above selected internal temperature
- Opening above selected internal humidity level
- Close when the external air temperature is higher than internal
- Night-Time Cooling Cycle (Programmed Cycle Time)
- Daily Forced Closure (Programmable Cycle Time)
- External Temperature Block
- Frost Alarm (Close in case of rain below set temperature)
- Rain Alarm (Close or move to gap opening when rain detected)
- Wind Alarm (Close when set wind speed is exceeded)
- Close when air conditioning and/or mechanical cooling is active



Sunsquare Limited
Kempson Way
Bury St Edmunds
Suffolk IP32 7AR
01284 723377
sunsquare.co.uk

